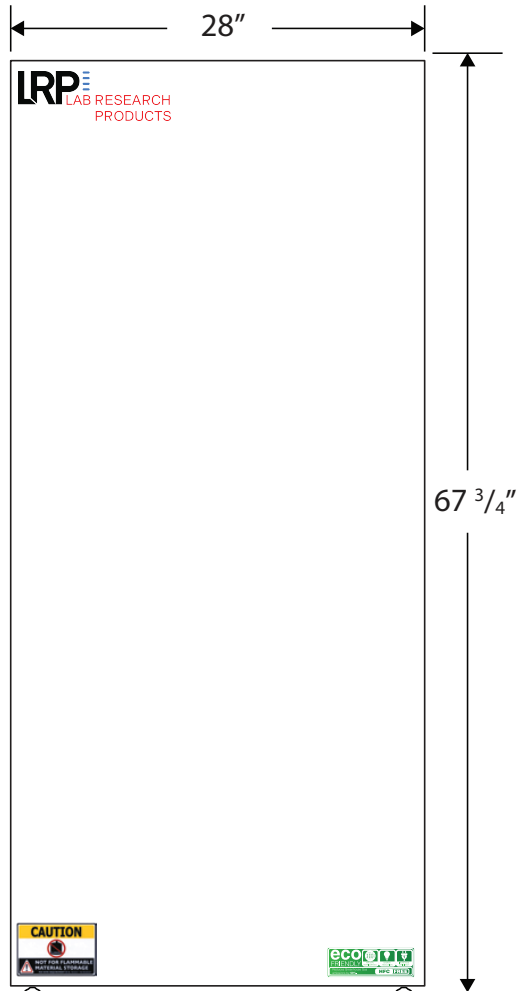
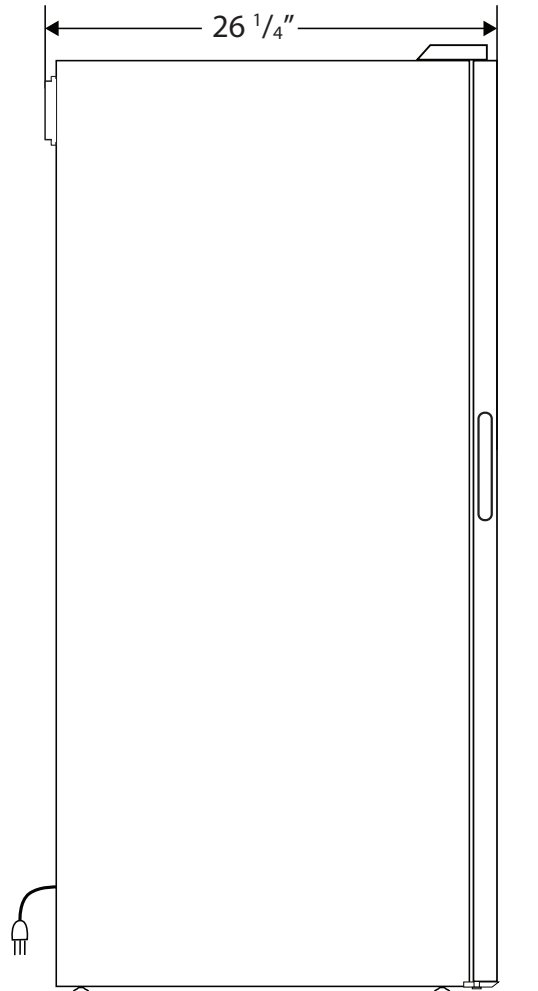


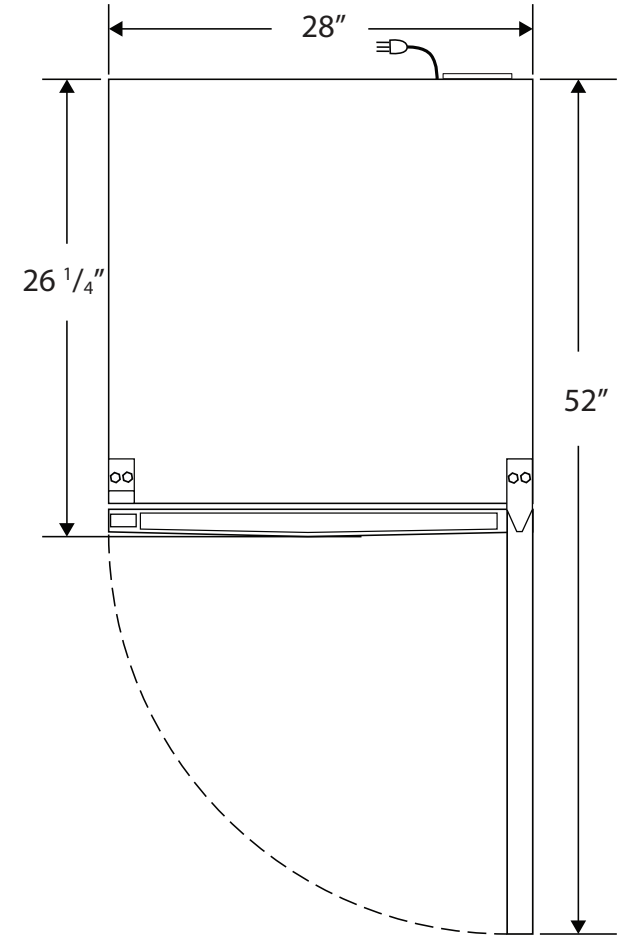
Front View



Side View



Top View



115VAC/60Hz/1PH  
NEMA-5-15P

Cu. Ft	Defrost	Door	Int Door	Shelves	W"	D"	H"	Refrigerant	H.P.	Amps	Weight
14	Auto	1 Solid	0	4 Adj + Basket	28	26 1/4	67 3/4	R600a	1/4	5	180 lbs.