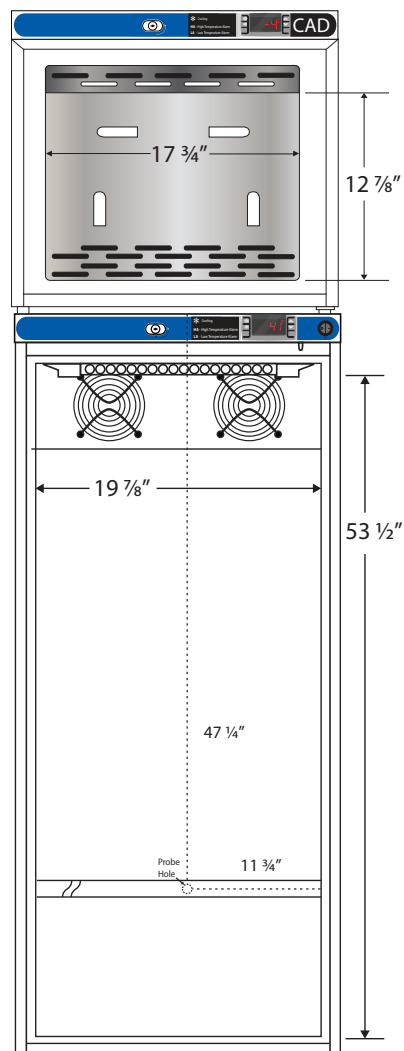
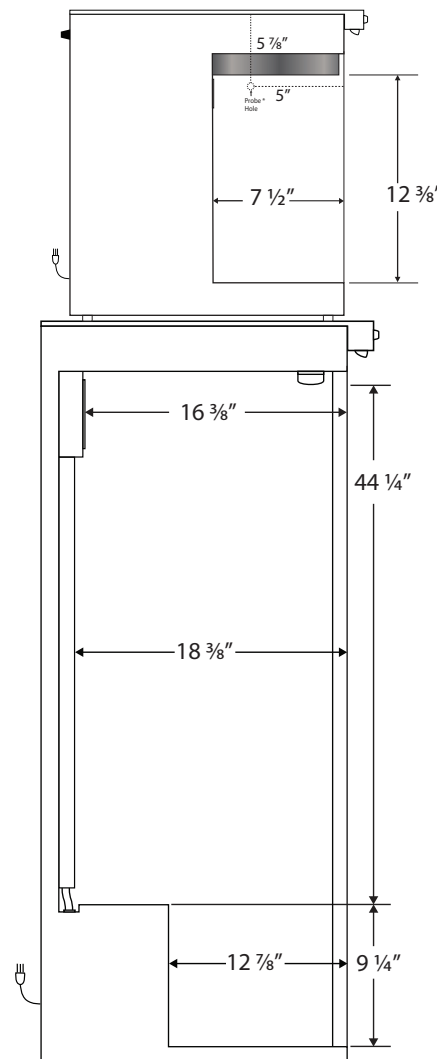


Front View



Side View



Compartment	Cu. Ft	Defrost	Door	Int Door	Shelves	Interior Dim.			Refrigerant	H.P.	Amps	Weight
						W"	D"	H"				
Freezer	1	Controlled Auto Cycle	1 Solid	0	2 Adj.	17 <sup>3</sup> / <sub>4</sub>	7 <sup>1</sup> / <sub>2</sub>	12 <sup>3</sup> / <sub>8</sub>	R600a	1/8	1	219 lbs.
Refrigerator	10.5		1 Solid	0	6 Adj.	19 <sup>7</sup> / <sub>8</sub>	18 <sup>3</sup> / <sub>8</sub>	53 <sup>1</sup> / <sub>2</sub>		1/3		

Note: Interior dimensions are estimates and subject to change without notice