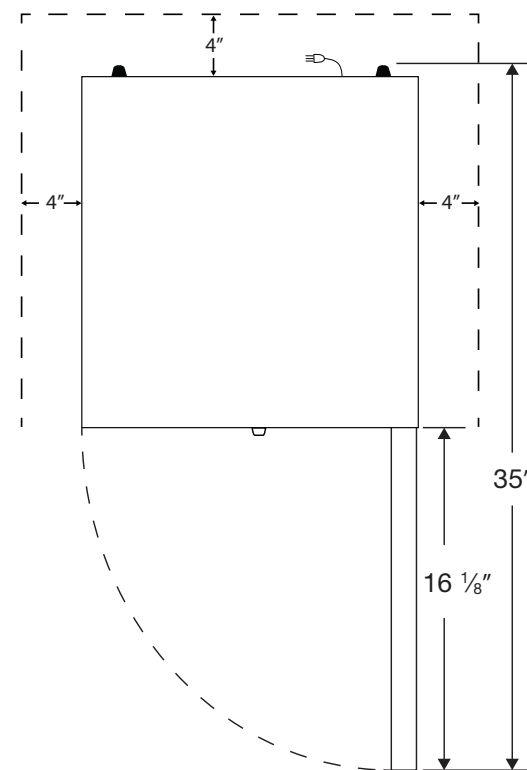
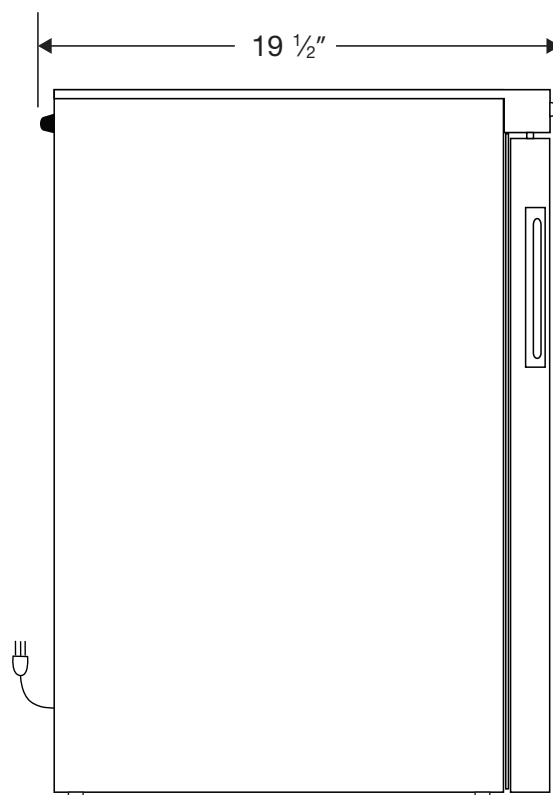
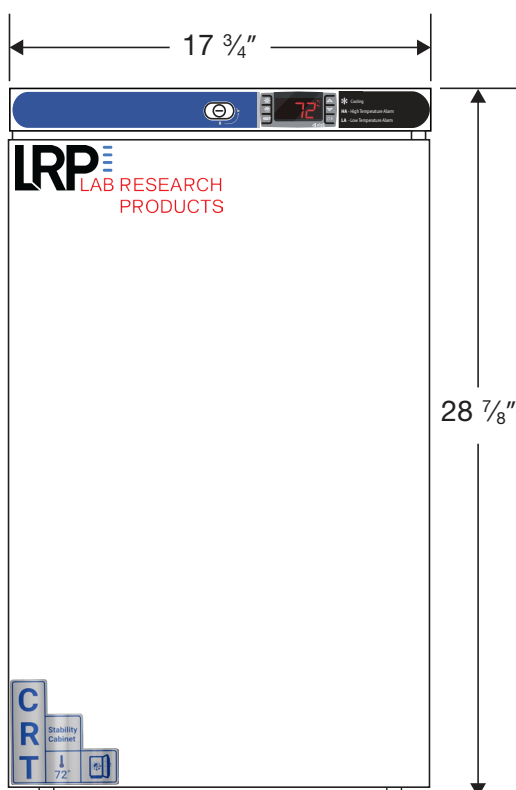


Front View

Side View

Top View



NOTE: Ventilation Requirements – Minimum 4" clearance on sides and back



115VAC/60Hz/1PH
NEMA-5-15P

Cu. Ft	Defrost	Door	Int Door	Shelves	W"	D"	H"	Refrigerant	H.P.	Amps	Weight
2.5	Cycle	1 Solid	0	4 Adj	$17 \frac{3}{4}$	$19 \frac{1}{2}$	$28 \frac{7}{8}$	R600a	$\frac{1}{8}$.90	68 lbs.