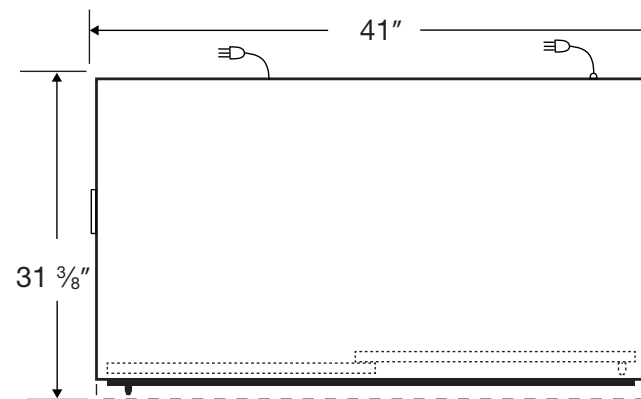
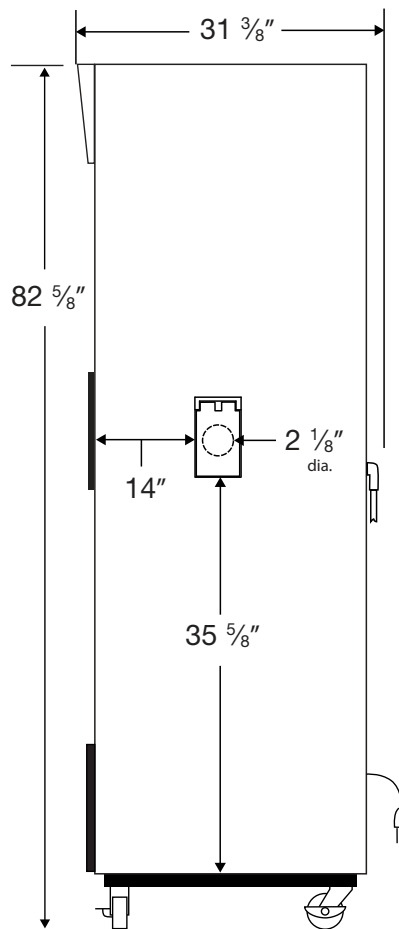


CUTSHEET

Front View

Side View

Top View



115VAC/60Hz/1PH  
NEMA-5-15P

Cu. Ft	Defrost	Door	Int Door	Shelves	W"	D"	H"	Refrigerant	H.P.	Amps	Weight
33	Cycle	2 Slide	0	8 Adj	41	31 <sup>3</sup> / <sub>8</sub> "	82 <sup>5</sup> / <sub>8</sub> "	R290	1/2	6.3	363 lbs.