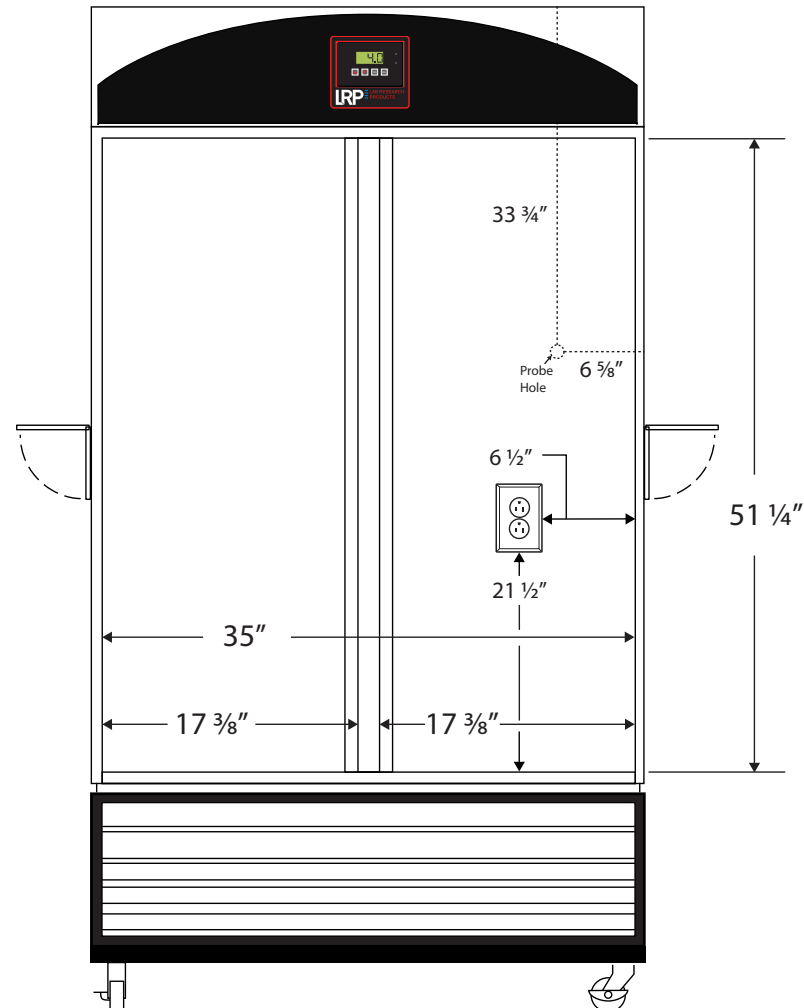
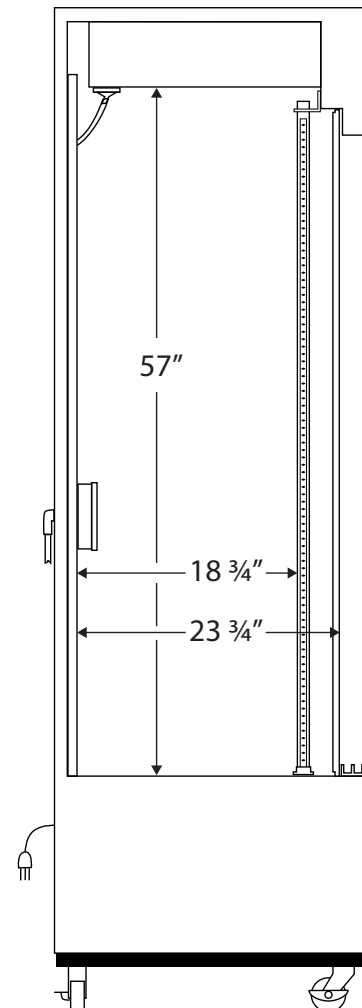


CUTSHEET

Front View



Side View



115VAC/60Hz/1PH
NEMA-5-15P

Cu. Ft	Defrost	Door	Int Door	Shelves	W"	D"	H"	Refrigerant	H.P.	Amps	Weight
33	Cycle	2 Slide	0	8 Adj	35	23 3/4	57	R290	1/2	6.3	363 lbs.

Note: Interior dimensions are estimates and subject to change without notice