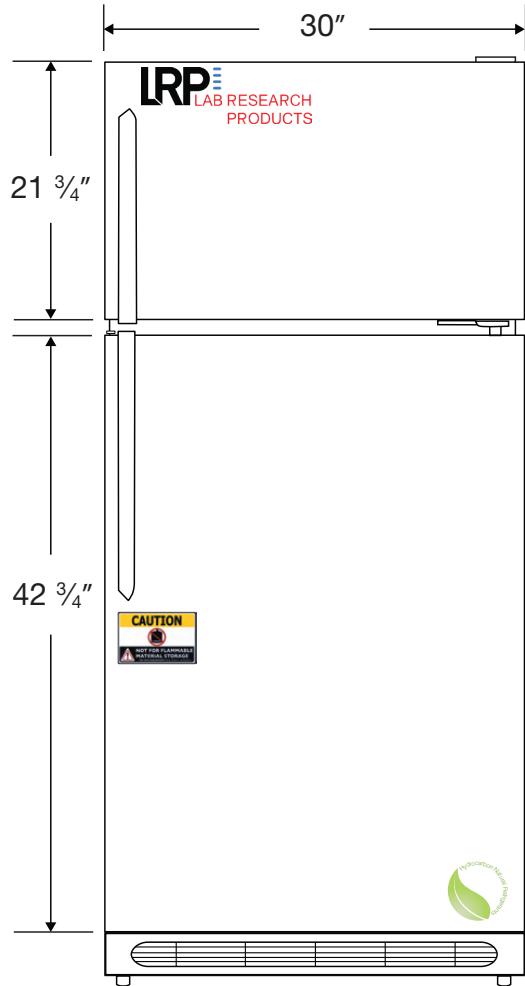
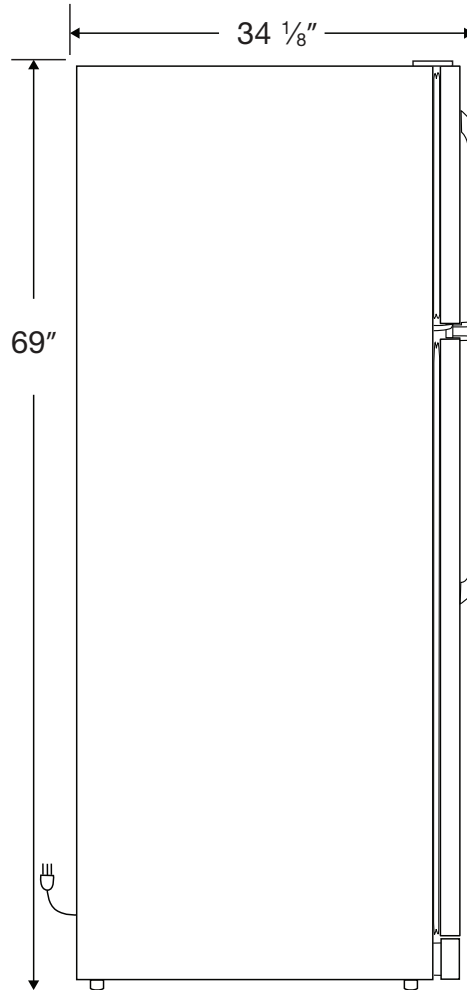


CUTSHEET

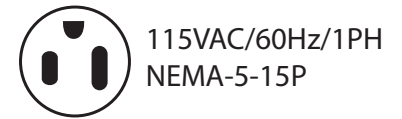
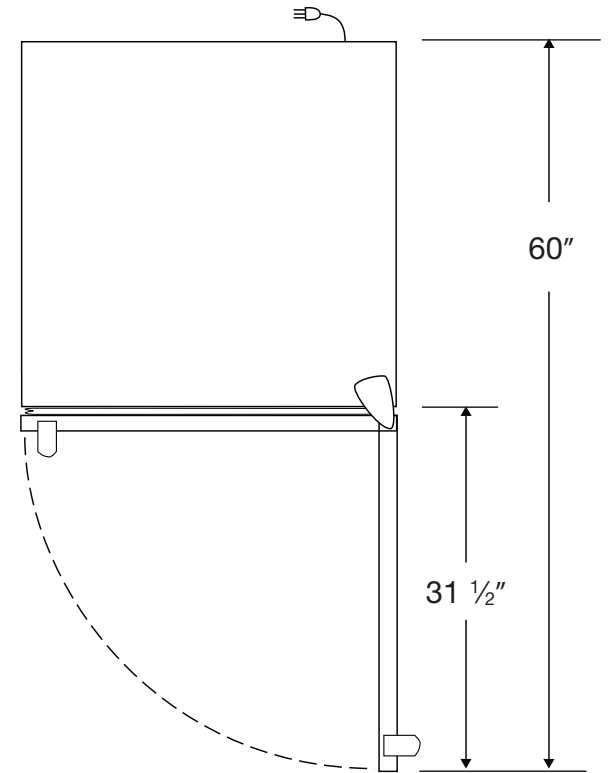
Front View



Side View



Top View



Compartment	Cu. Ft	Defrost	Door	Int Door	Shelves	W"	D"	H"	Refrigerant	Amps	Weight
Freezer Refrigerator	5.15 15.35	Auto Cycle	1 Solid 1 Solid	0 0	1 Fixed 2 Adj./1 Fixed	30	34 1/8	69	R600a	3	171 lbs.