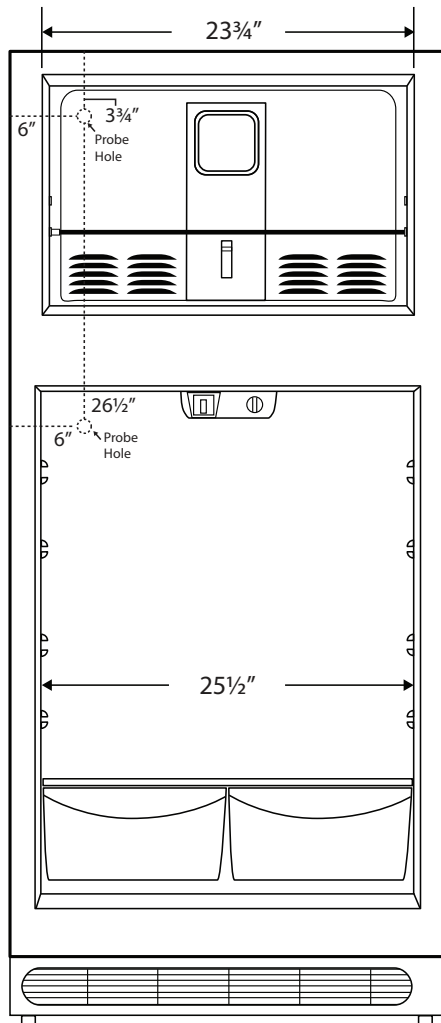
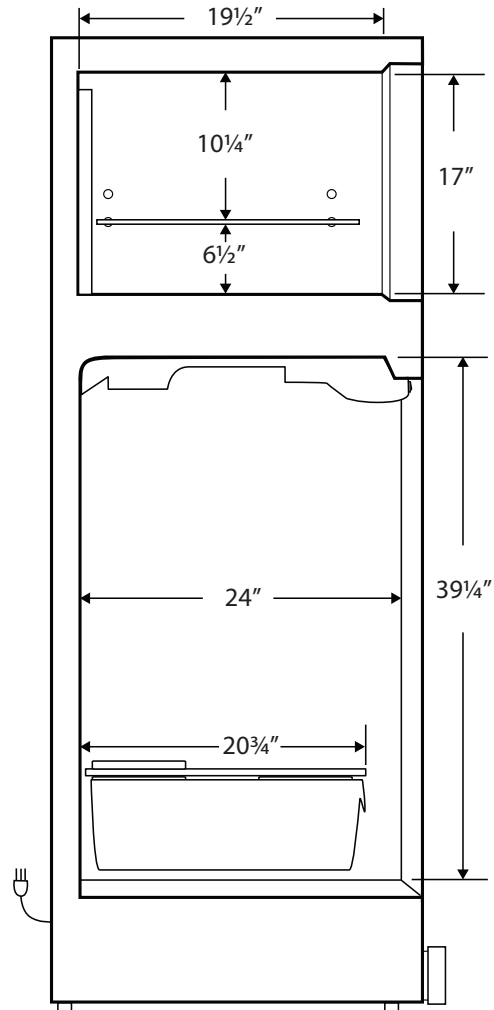


Front View



Side View



115VAC/60Hz/1PH
NEMA-5-15P

Compartment	Cu. Ft	Defrost	Door	Int Door	Shelves	Interior Dim.			Refrigerant	Amps	Weight
						W"	D"	H"			
Freezer	5.15	Auto	1 Solid	0	1 Fixed	$23\frac{3}{4}$	$19\frac{1}{2}$	17	R600a	3	171 lbs.
Refrigerator	15.35	Cycle	1 Solid	0	2 Adj./1 Fixed	$25\frac{1}{2}$	24	$39\frac{1}{4}$			

Note: Interior dimensions are estimates and subject to change without notice