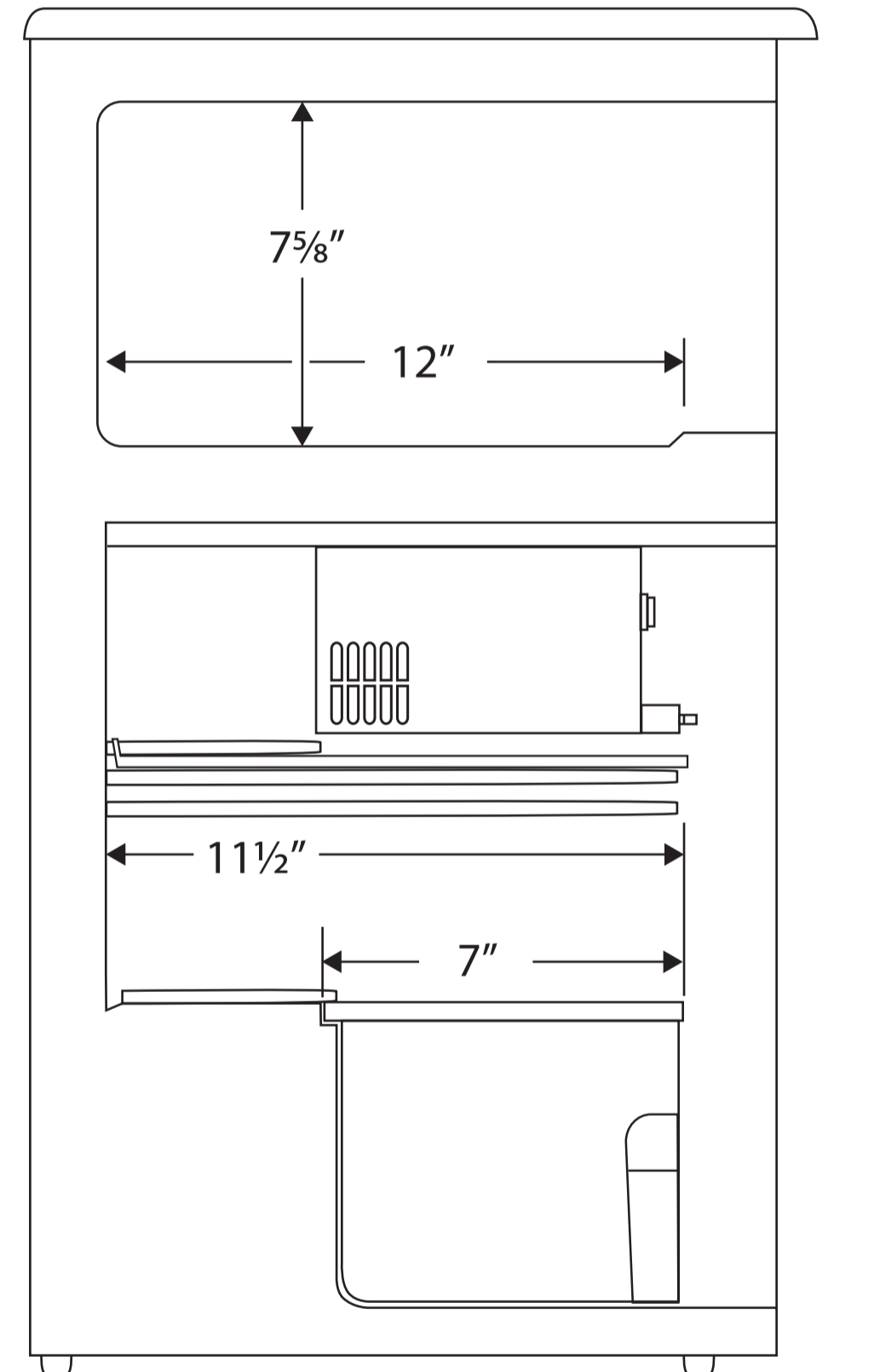
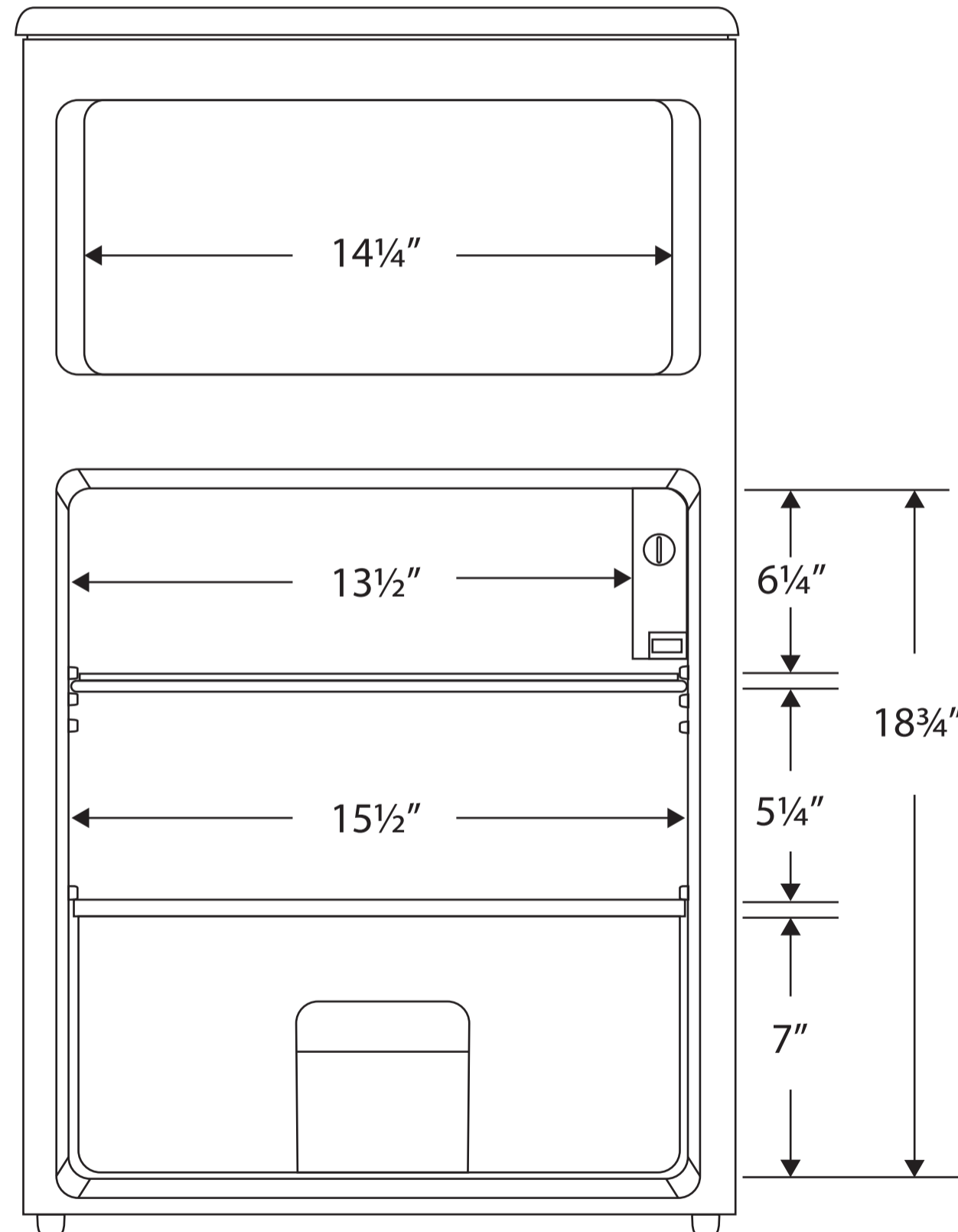


CUTSHEET

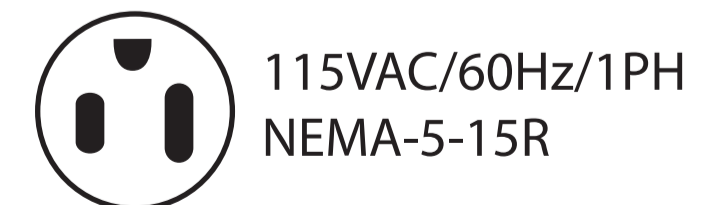
Front View

Side View



Interior Freezer Dim.		
W"	D"	H"
14 1/4	12	7 5/8

Interior Refrigerator Dim.		
W"	D"	H"
15 1/2	11 1/2	18 3/4



115VAC/60Hz/1PH
NEMA-5-15R

LRP Model	Cu. Ft	Defrost	Door	Int Door	Shelves	Interior Dim.			H.P.	Amps	Weight
						W"	D"	H"			
RFC-3M	2/1	Manual	2 Solid	0	1 Fixed/1 Adj	See Above			1/6	1.3	66 lbs.

Note: Interior dimensions are estimates and subject to change without notice