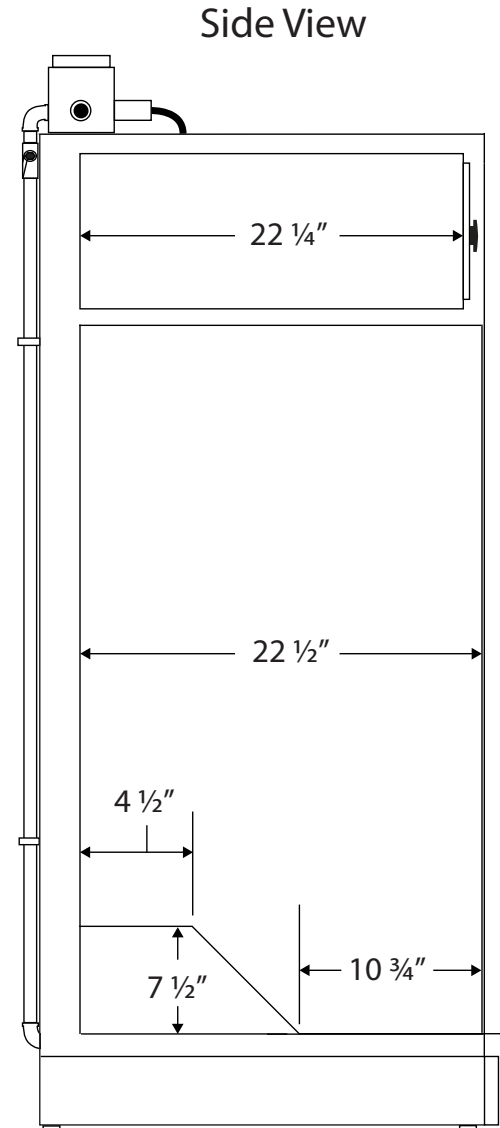
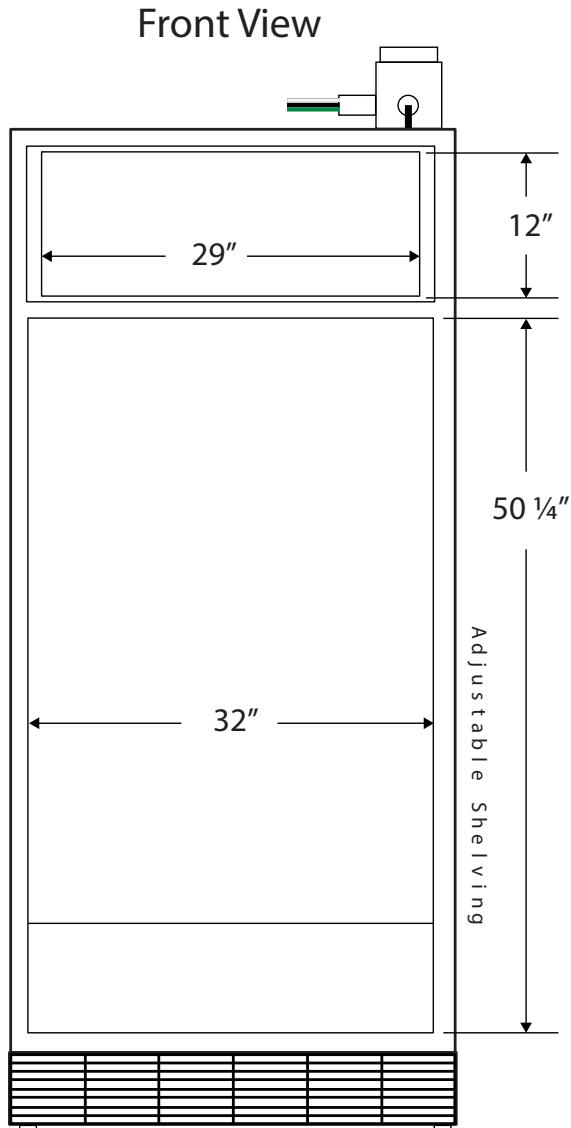


CUTSHEET



Factory Sealed Wires Only

Compartment	Cu. Ft	Defrost	Door	Int Door	Shelves	Interior Dim.			Refrigerant	H.P.	Amps	Weight
						W"	D"	H"				
Freezer Refrigerator	30	Manual	1 Solid	1	3 Adj	29	22 1/4	12	R404a	1/3	6	348 lbs.
				(Freezer)	(Refrigerator)	32	22 1/2	50 1/4				