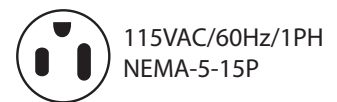
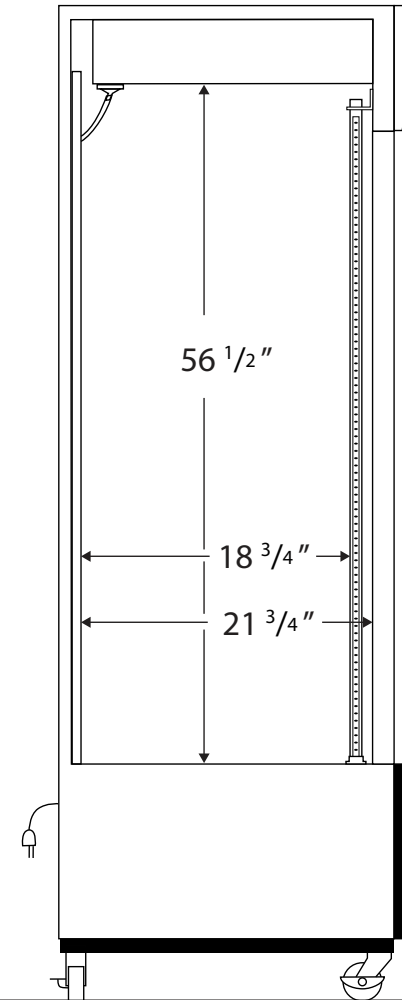
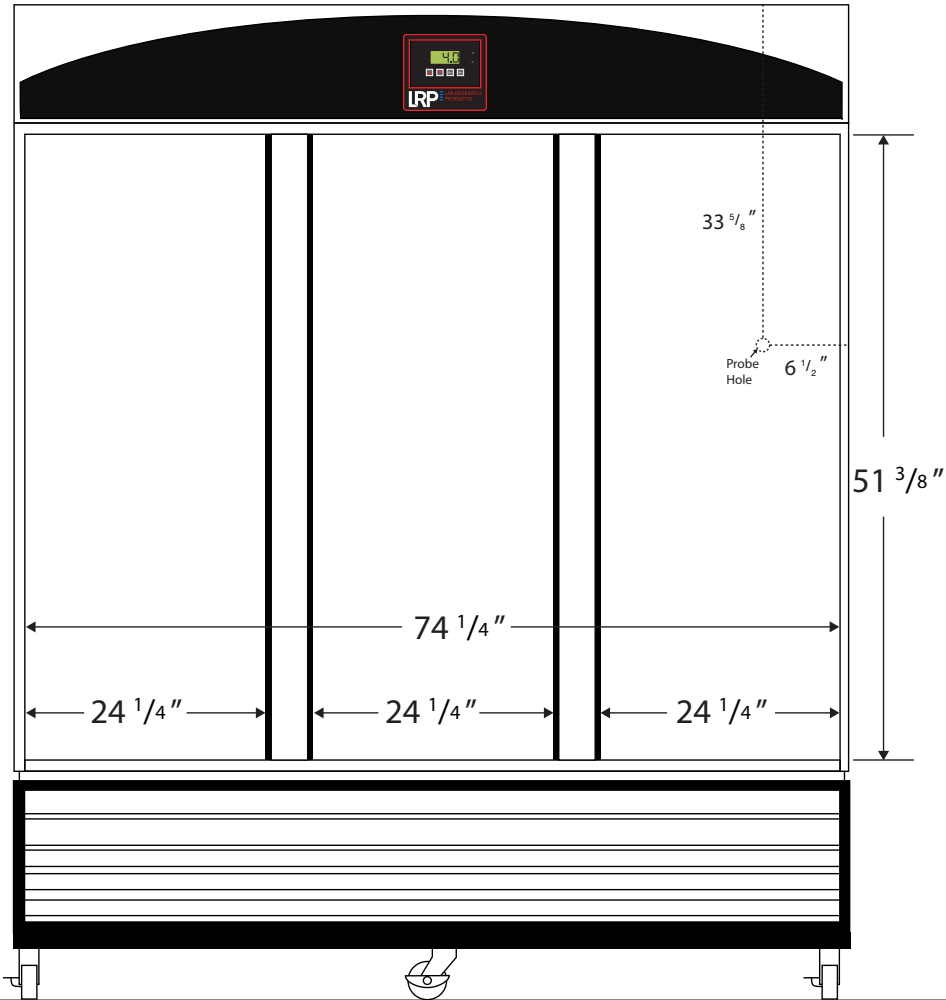


CUTSHEET

Front View

Side View



Cu. Ft	Defrost	Door	Int Door	Shelves	W"	D"	H"	Refrigerant	H.P.	Amps	Weight
69	Cycle	3 Slide	0	12 Adj	74 1/4	21 3/4	56 1/2	R290	1/2	9.3	645 lbs.

Note: Interior dimensions are estimates and subject to change without notice