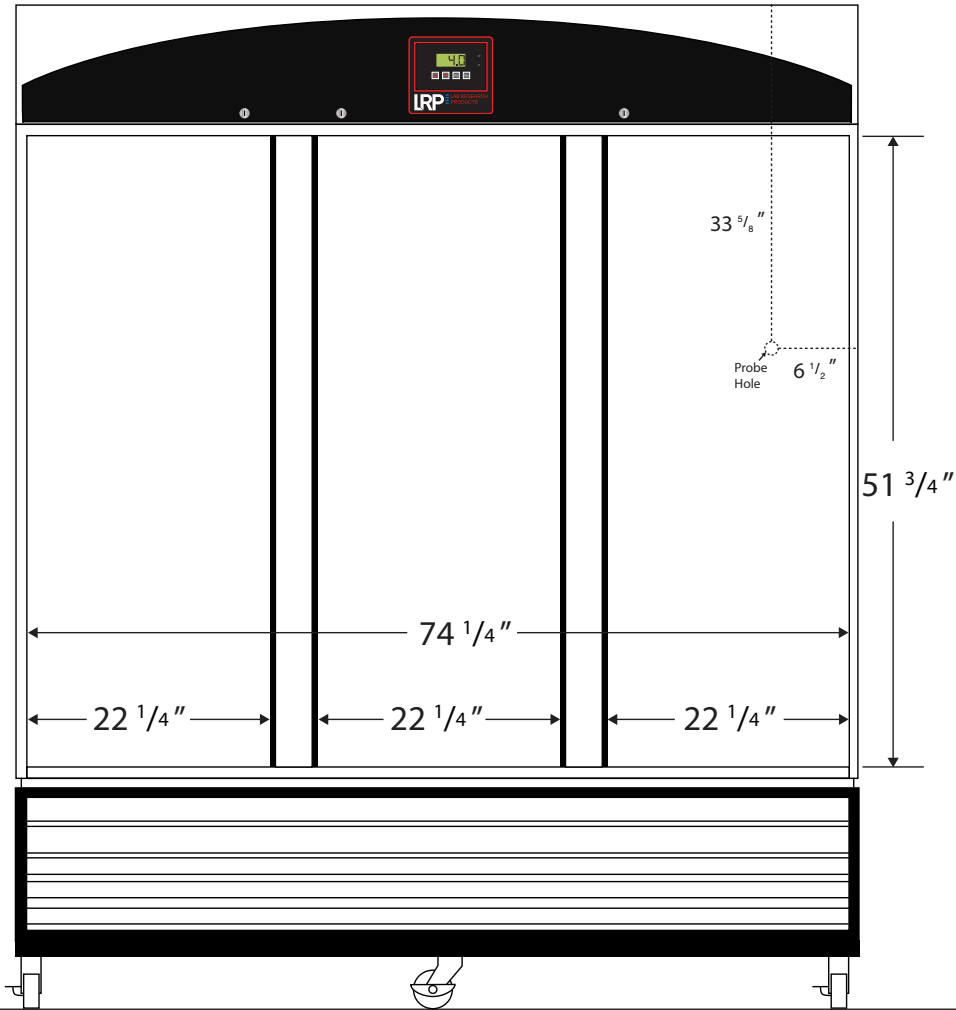
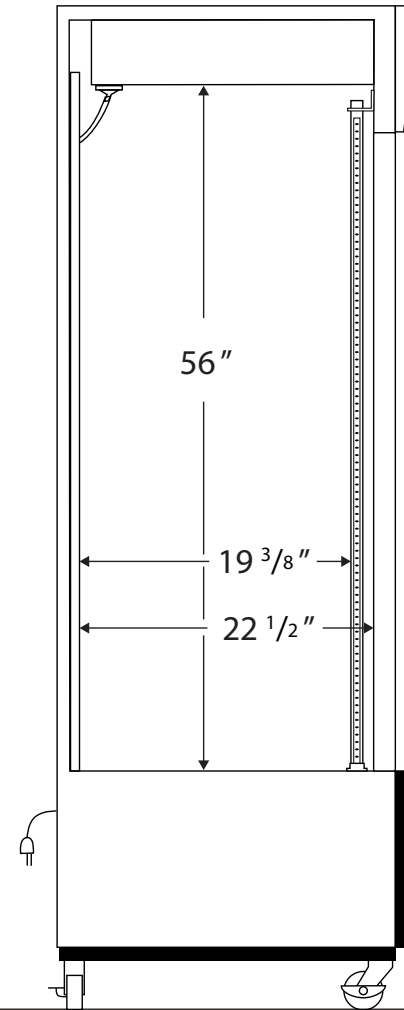


## CUTSHEET

Front View



Side View



115VAC/60Hz/1PH  
NEMA-5-15P

Cu. Ft	Defrost	Door	Int Door	Shelves	W"	D"	H"	Refrigerant	H.P.	Amps	Weight
72	Cycle	3 Glass	0	12 Adj	74 1/4	22 1/2	56	R290	1/2	8.5	640 lbs.