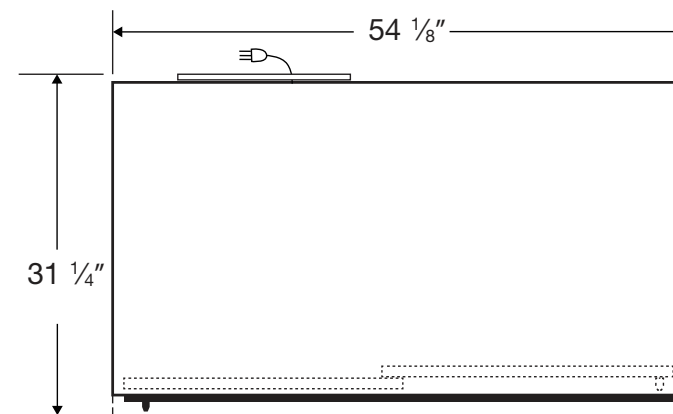
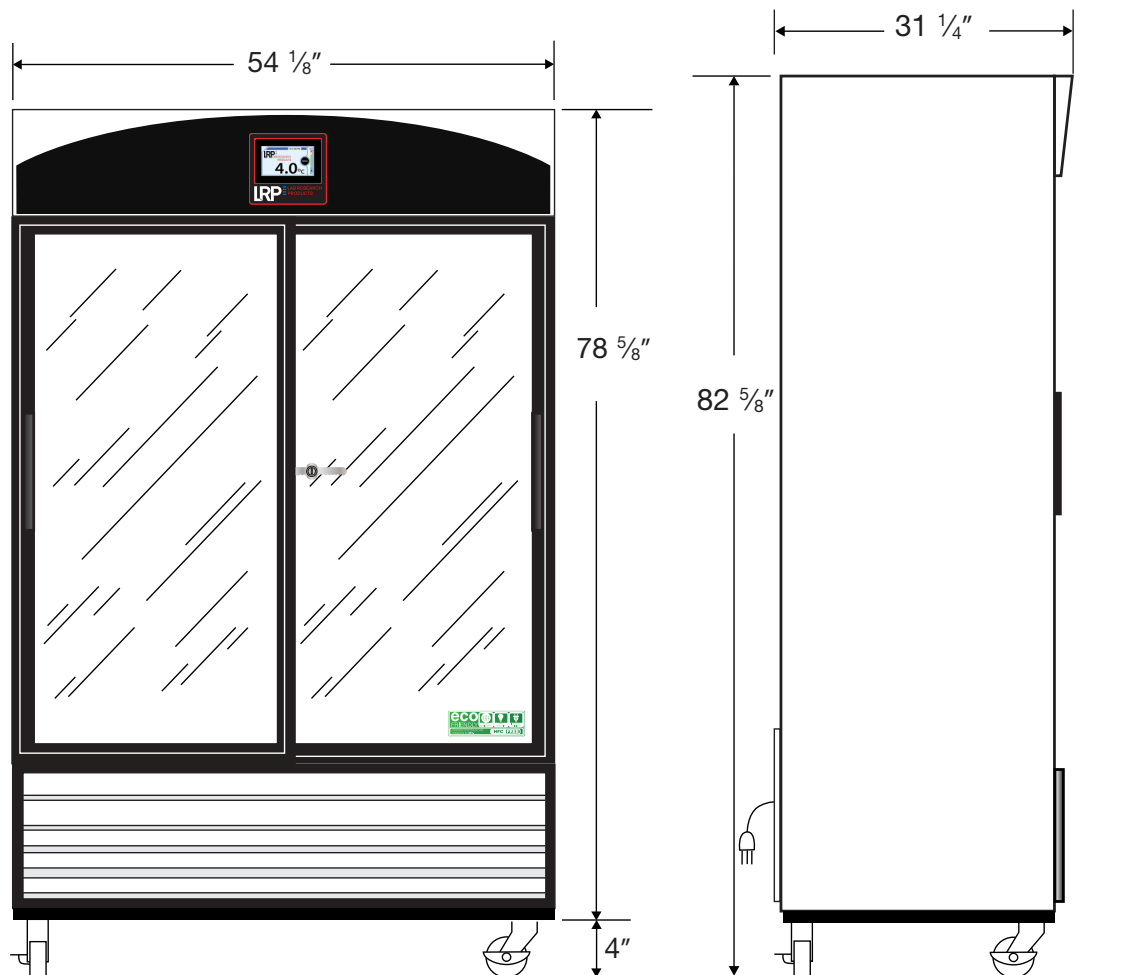


## CUTSHEET

Front View

Side View

Top View



115VAC/60Hz/1PH  
NEMA-5-15P

Cu. Ft	Defrost	Door	Int Door	Shelves	W"	D"	H"	Refrigerant	H.P.	Amps	Weight
47	Cycle	2 Slide	0	8 Adj	54 1/8	31 1/4	82 5/8	R290	1/2	8.5	455 lbs.