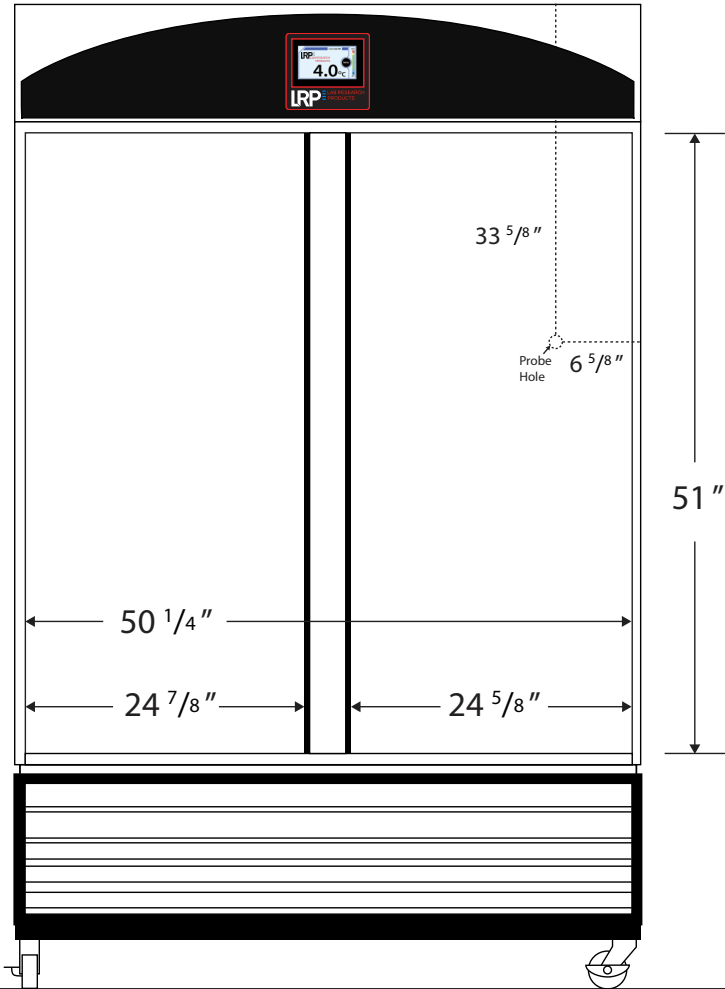
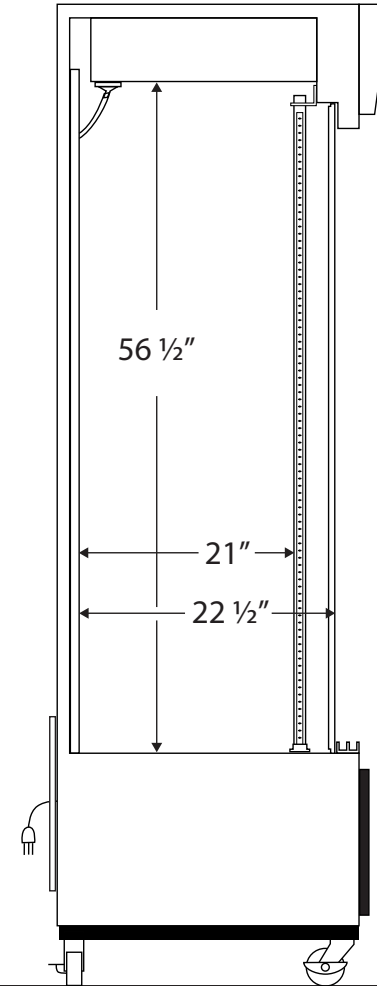


Front View



Side View



115VAC/60Hz/1PH
NEMA-5-15P

Cu. Ft	Defrost	Door	Int Door	Shelves	W"	D"	H"	Refrigerant	H.P.	Amps	Weight
47	Cycle	2 Slide	0	8 Adj	50 1/4	22 1/2	56 1/2	R290	1/2	8.5	455 lbs.