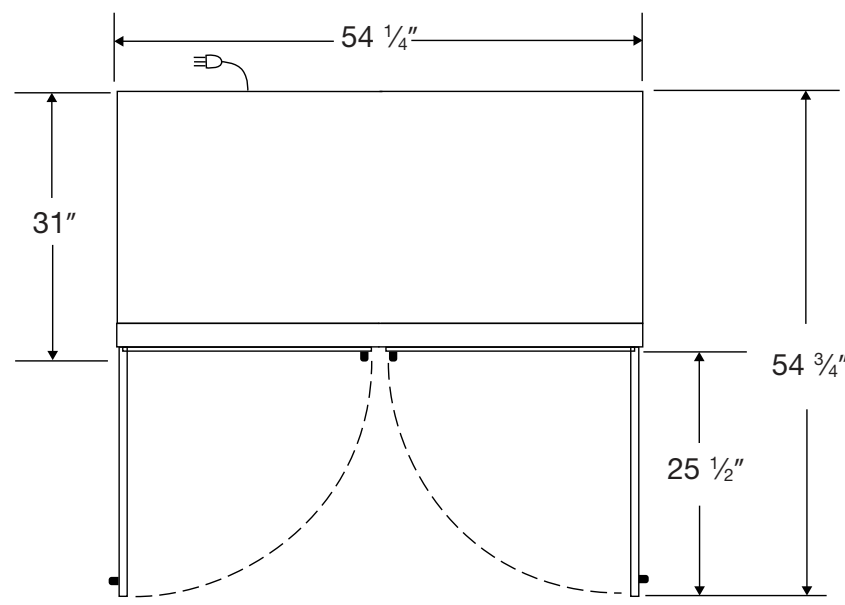
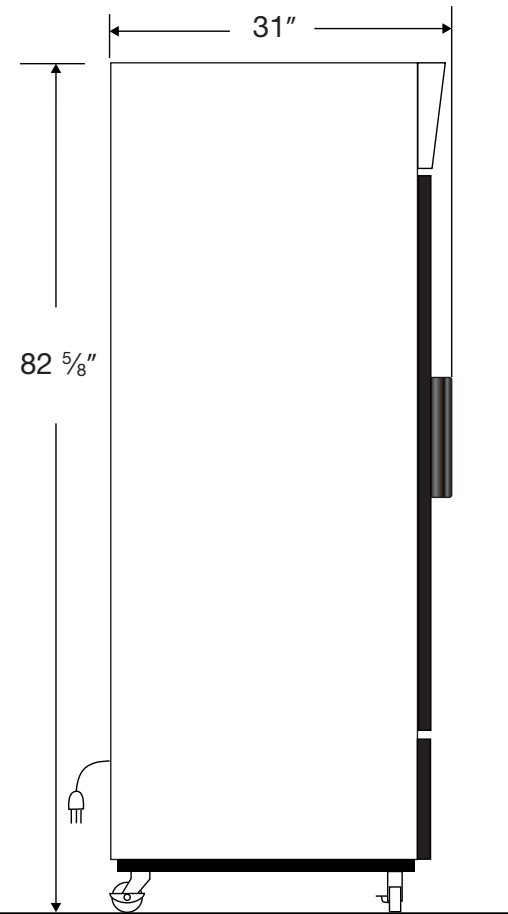
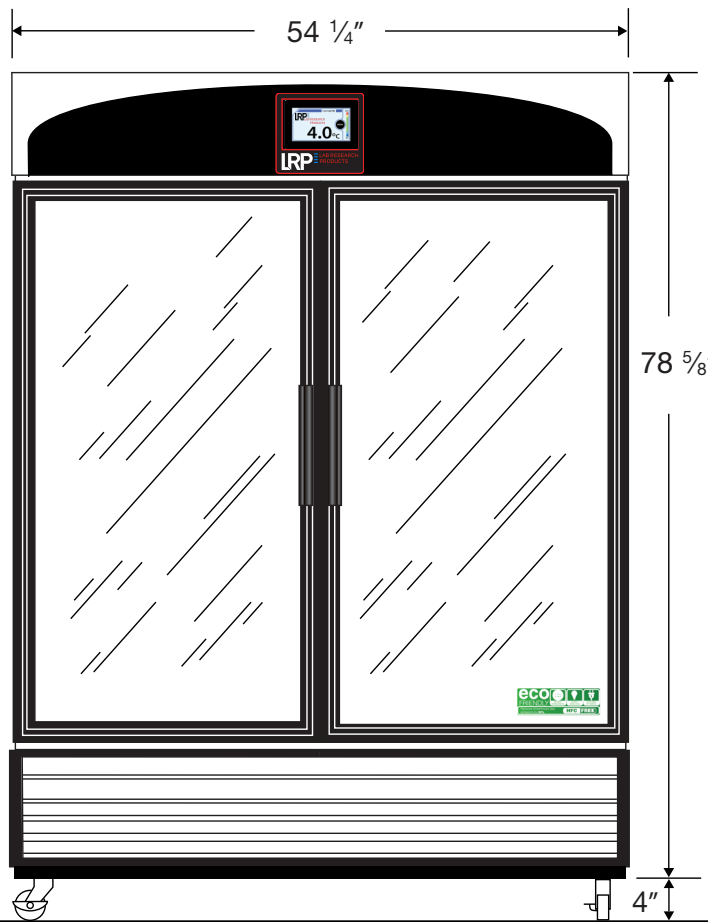



Front View

Side View

Top View

115VAC/60Hz/1PH  
NEMA-5-15P

Cu. Ft	Defrost	Door	Int Door	Shelves	W"	D"	H"	Refrigerant	H.P.	Amps	Weight
49	Cycle	2 Glass	0	8 Adj	54 1/4	31	82 5/8	R290	1/2	8.5	445 lbs.