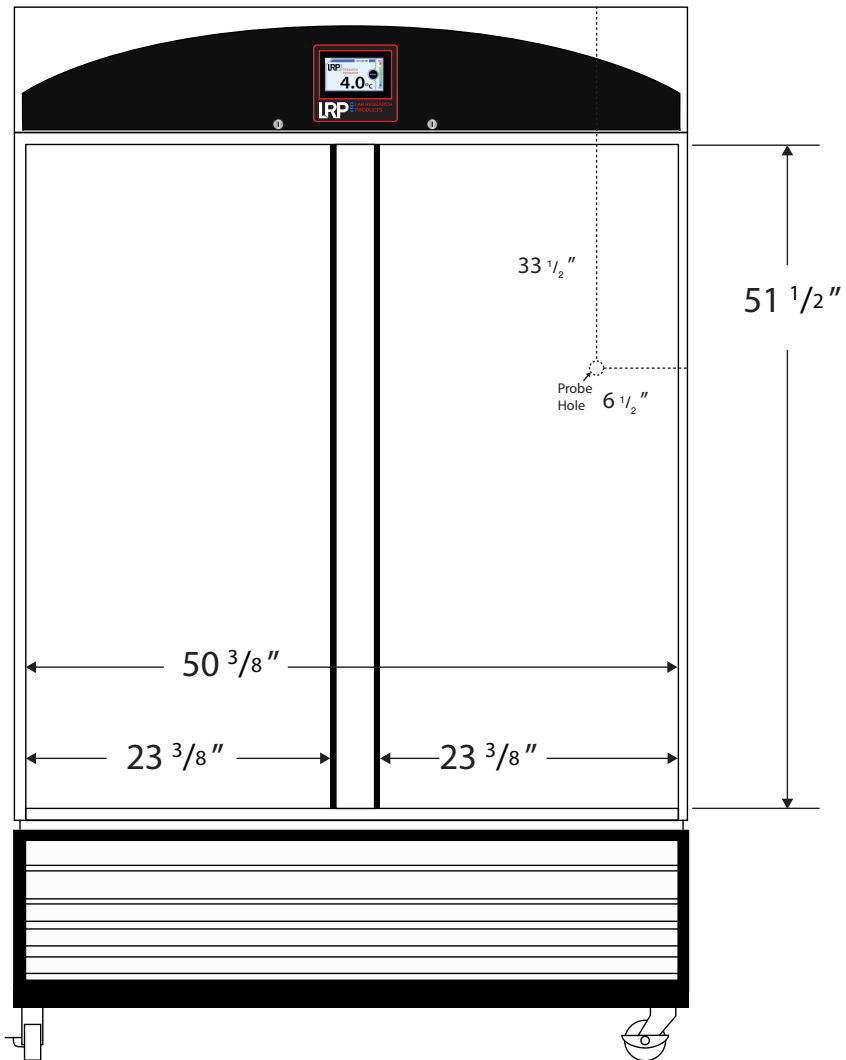
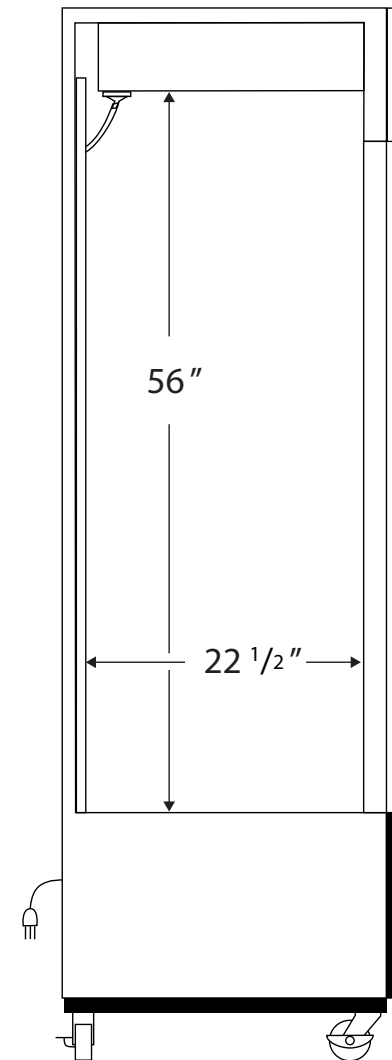


Front View



Side View



115VAC/60Hz/1PH
NEMA-5-15P

Cu. Ft	Defrost	Door	Int Door	Shelves	W"	D"	H"	Refrigerant	H.P.	Amps	Weight
49	Cycle	2 Glass	0	8 Adj	$50 \frac{3}{8}$	$22 \frac{1}{2}$	56	R290	$\frac{1}{2}$	8.5	445 lbs.