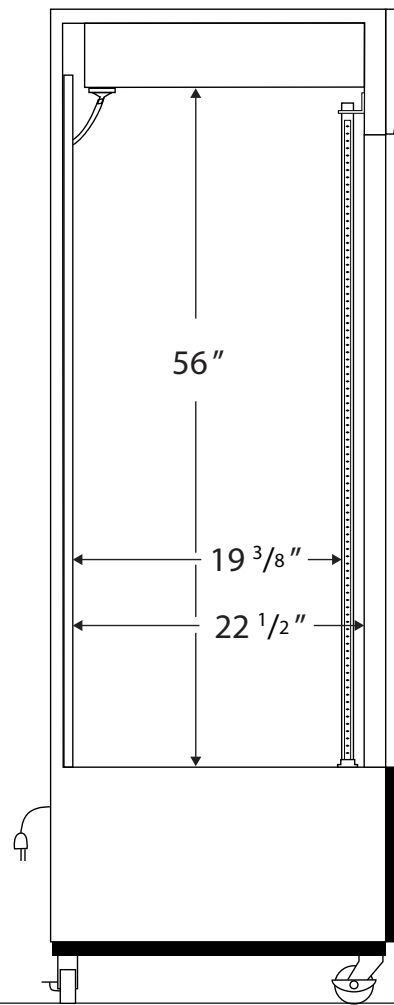
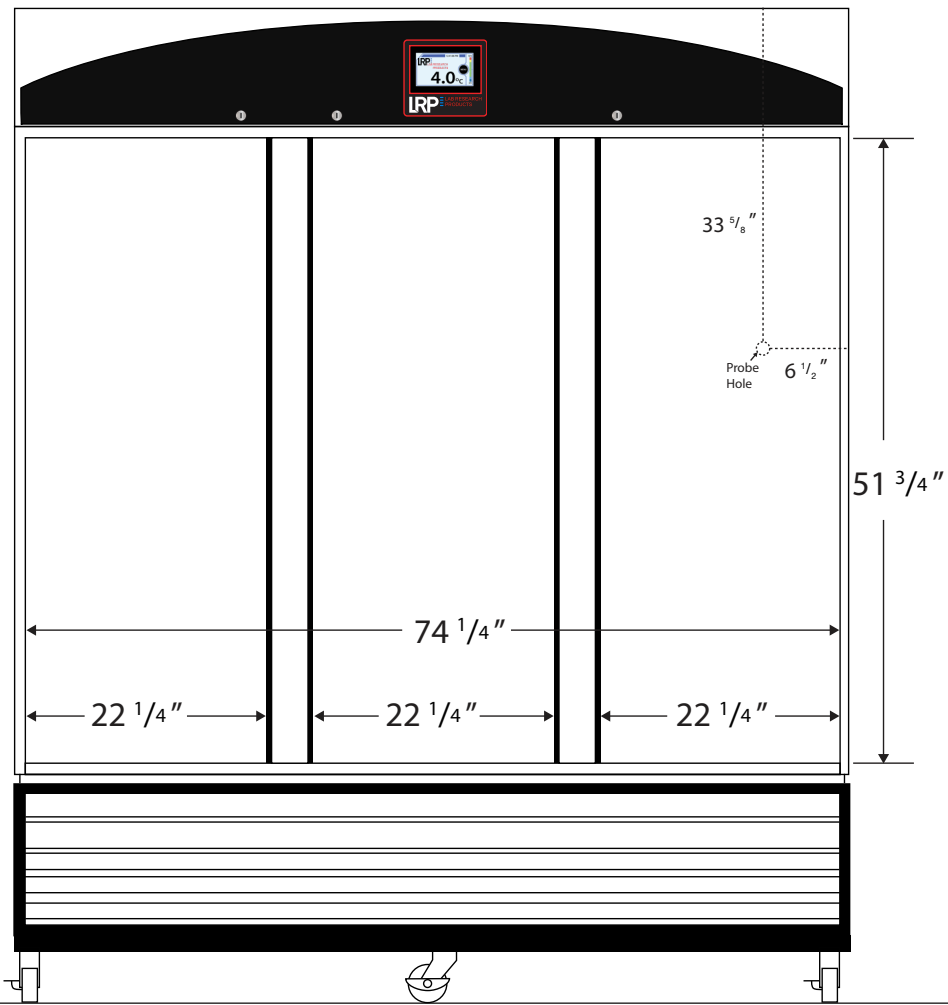


Front View

Side View



115VAC/60Hz/1PH  
NEMA-5-15P

| Cu. Ft | Defrost | Door    | Int Door | Shelves | W"     | D"     | H" | Refrigerant | H.P. | Amps | Weight   |
|--------|---------|---------|----------|---------|--------|--------|----|-------------|------|------|----------|
| 72     | Cycle   | 3 Glass | 0        | 12 Adj  | 74 1/4 | 22 1/2 | 56 | R290        | 1/2  | 8.5  | 640 lbs. |

Note: Interior dimensions are estimates and subject to change without notice