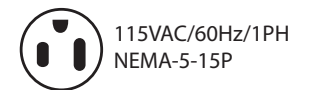
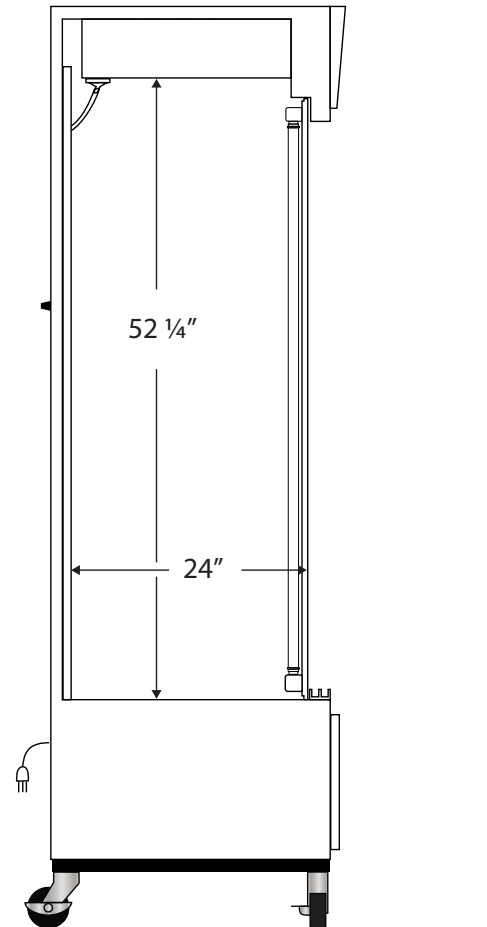
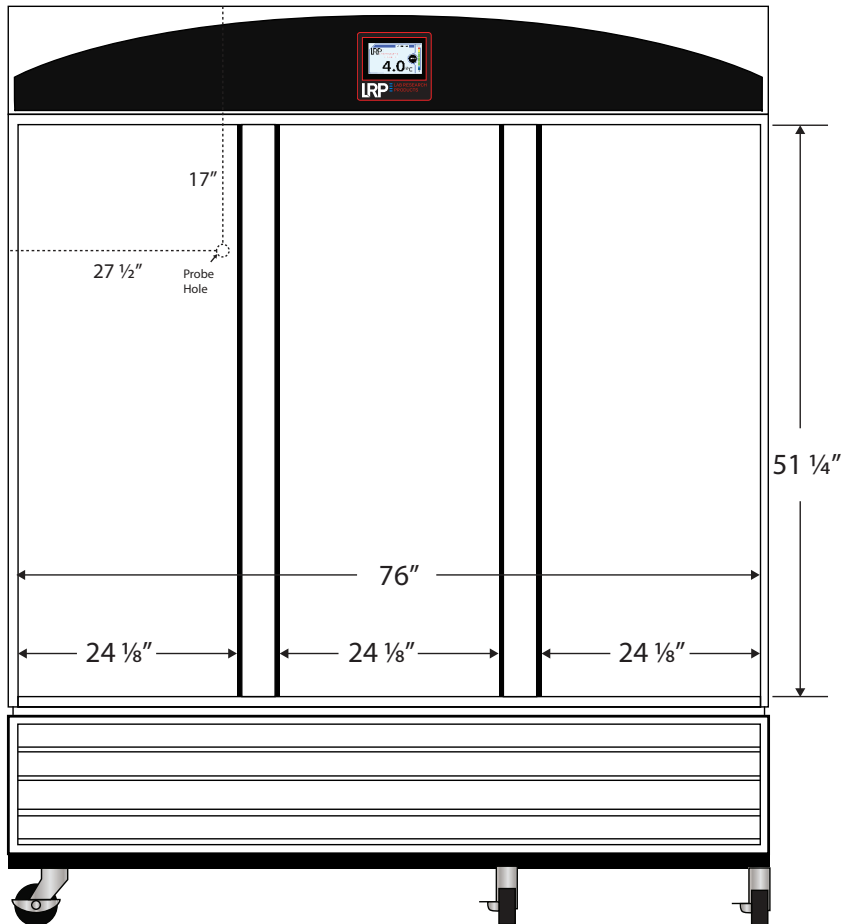


CUTSHEET

Front View

Side View



115VAC/60Hz/1PH
NEMA-5-15P

| Cu. Ft | Defrost | Door | Int Door | Shelves | W" | D" | H" | Refrigerant | H.P. | Amps | Weight |
|--------|---------|-------------------|----------|---------|----|----|--------|-------------|------|------|----------|
| 69 | Cycle | 3 Glass (Sliding) | 0 | 12 Adj | 76 | 24 | 52 1/4 | R290 | 1/2 | 7.5 | 688 lbs. |

Note: Interior dimensions are estimates and subject to change without notice