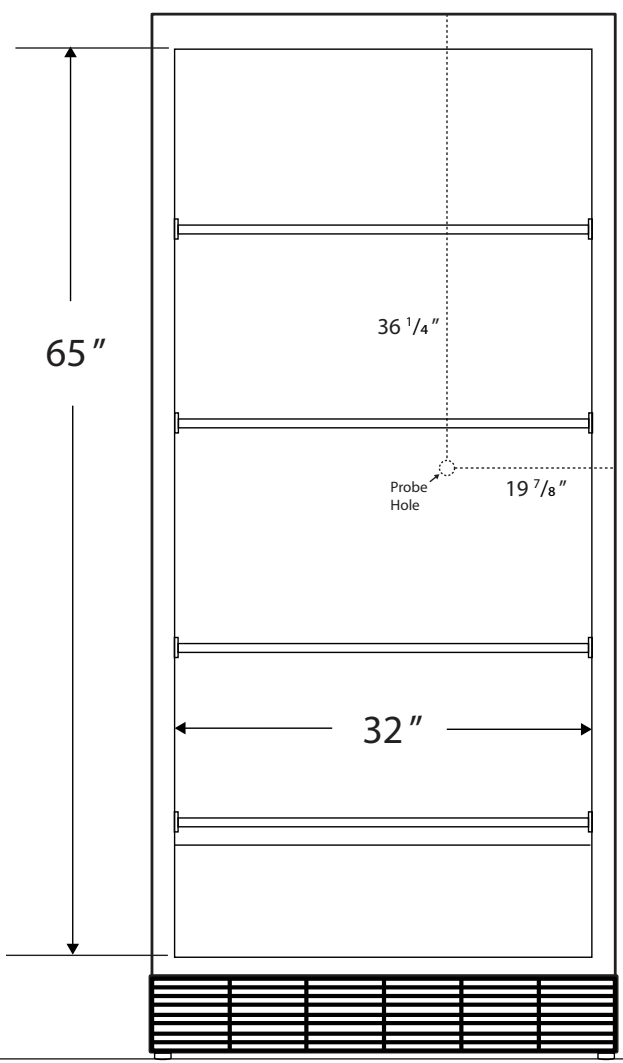
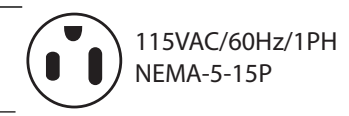
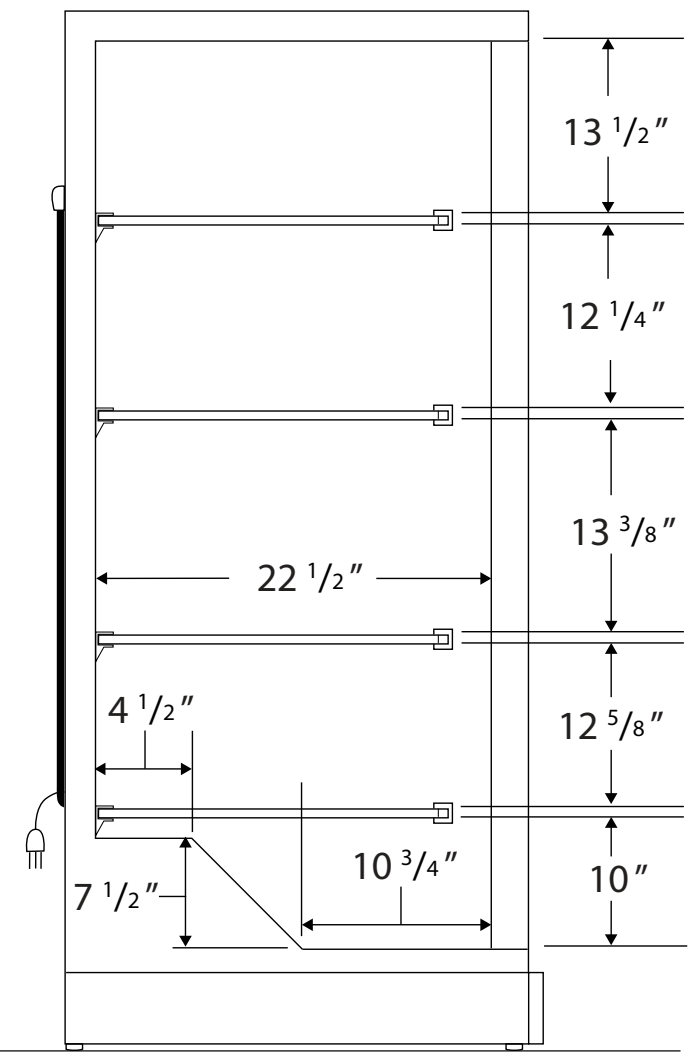


CUTSHEET

Front View



Side View



Cu. Ft	Defrost	Door	Int Door	Shelves	W"	D"	H"	Refrigerant	H.P.	Amps	Weight
30	Manual	1 Solid	0	4 Fixed	32	22 1/2	65	R404a	1/3	6	305 lbs.

Note: Interior dimensions are estimates and subject to change without notice