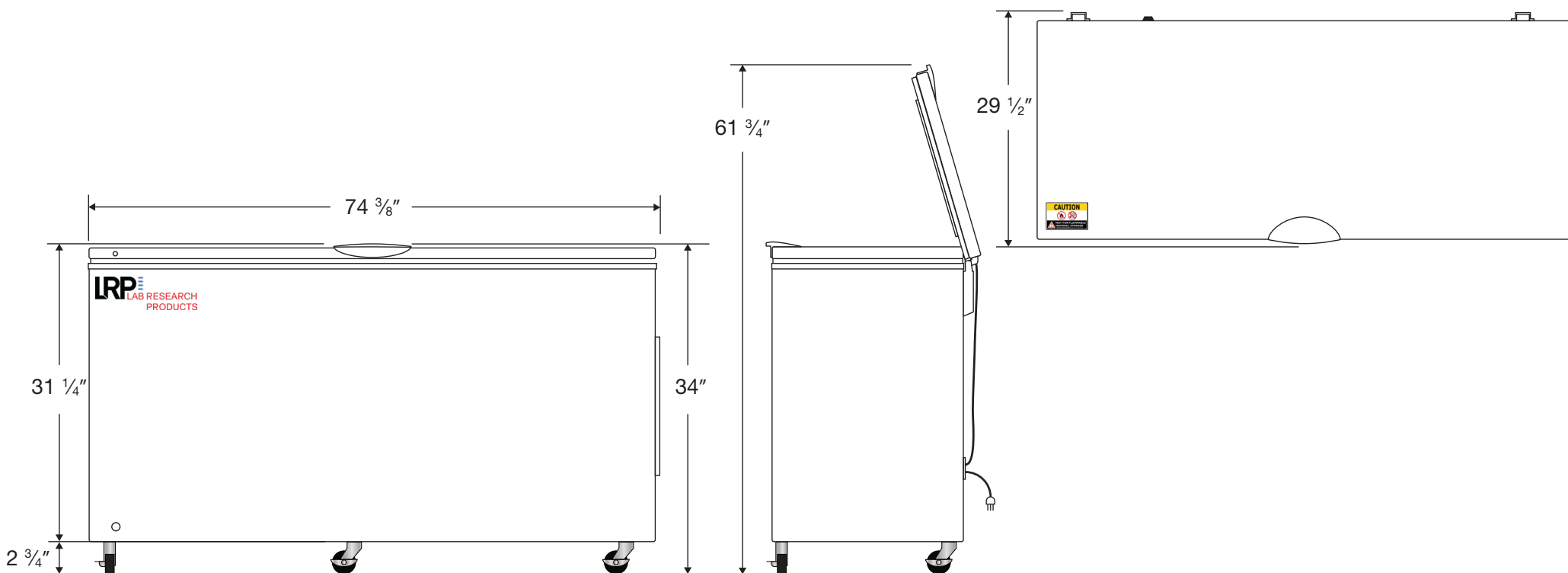



CUTSHEET

Front View

Side View

Top View



 115VAC/60Hz/1PH
NEMA-5-15P

Cu. Ft	Defrost	Door	Int Door	Shelves	W"	D"	H"	Refrigerant	H.P.	Amps	Weight
20	Manual	1 Solid	0	2 Baskets	$74 \frac{3}{8}$	$29 \frac{1}{2}$	34	R134a	$\frac{1}{4}$	5	181 lbs.