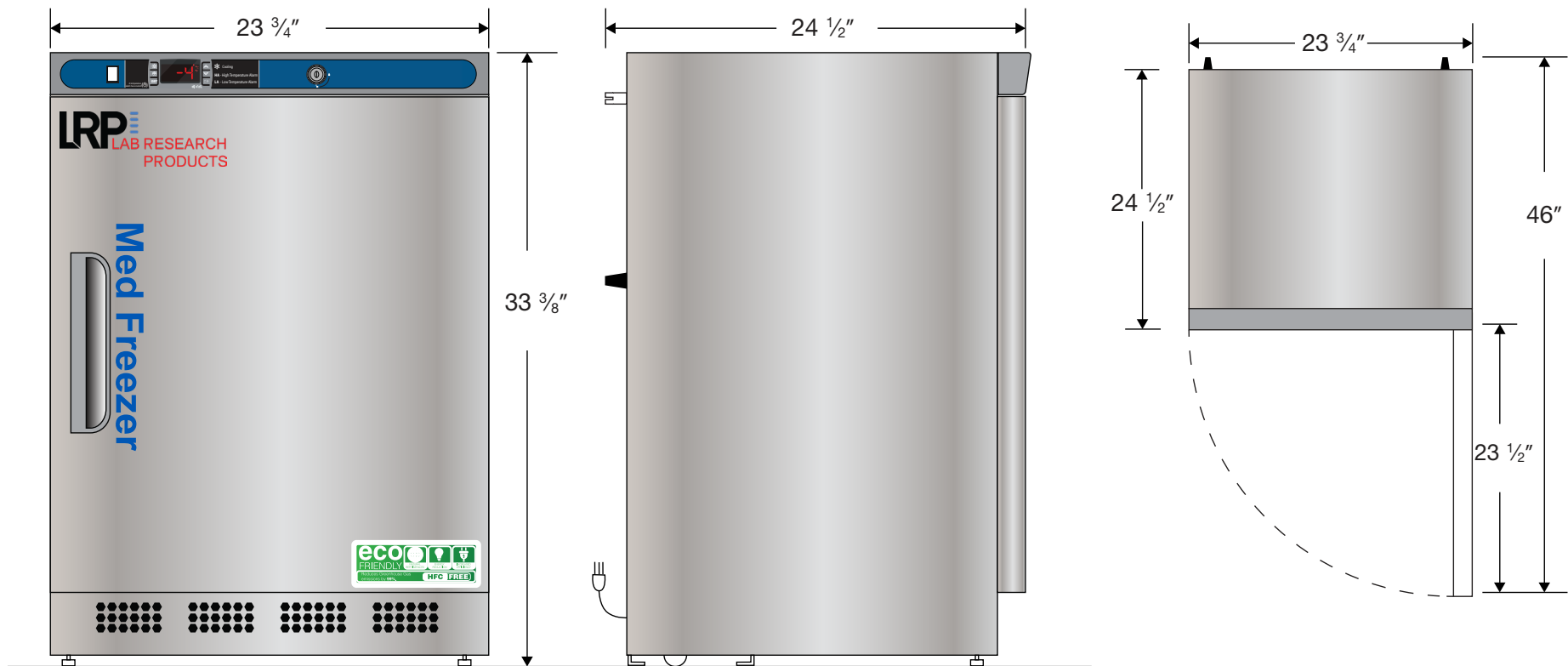


Front View

Side View

Top View



115VAC/60Hz/1PH
NEMA-5-15P

Cu. Ft	Defrost	Door	Int Door	Shelves	W"	D"	H"	Refrigerant	H.P.	Amps	Weight
4.2	Manual	1 Solid	0	2 Fixed	$23 \frac{3}{4}$	$24 \frac{1}{2}$	$33 \frac{3}{8}$	R600a	$\frac{1}{8}$	1.5	100 lbs.