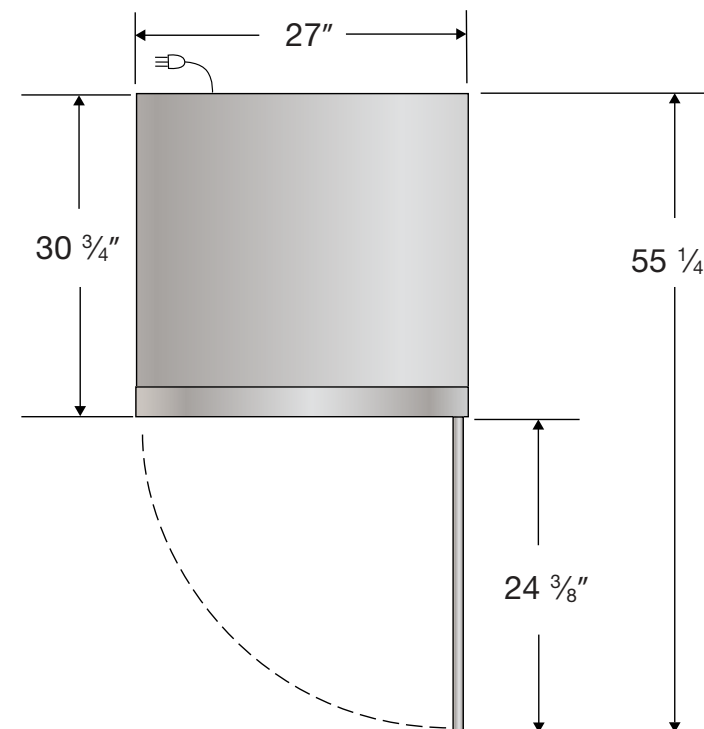
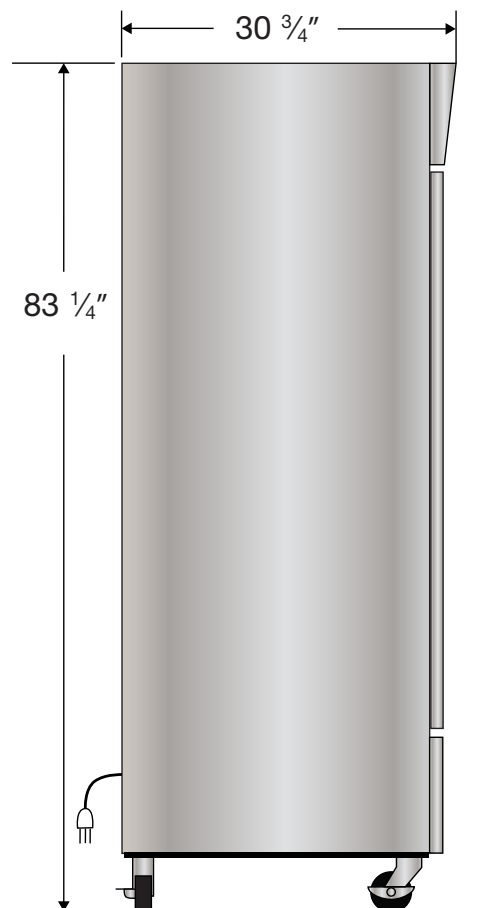
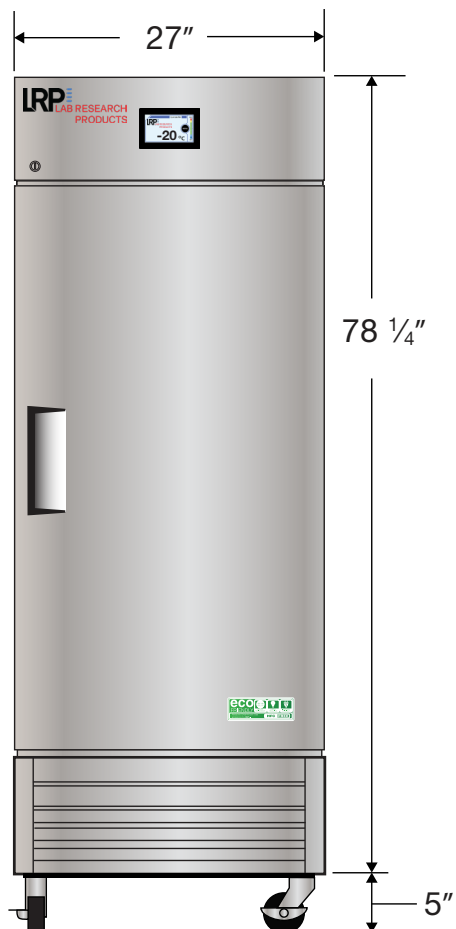


Front View

Side View

Top View



115VAC/60Hz/1PH  
NEMA-5-15P

Cu. Ft	Defrost	Door	Int Door	Shelves	W"	D"	H"	Refrigerant	H.P.	Amps	Weight
23	Auto	1 Solid	0	3 Adj	27	30 <sup>3</sup> / <sub>4</sub>	83 <sup>1</sup> / <sub>4</sub>	R290	<sup>1</sup> / <sub>2</sub>	3.7	270 lbs.