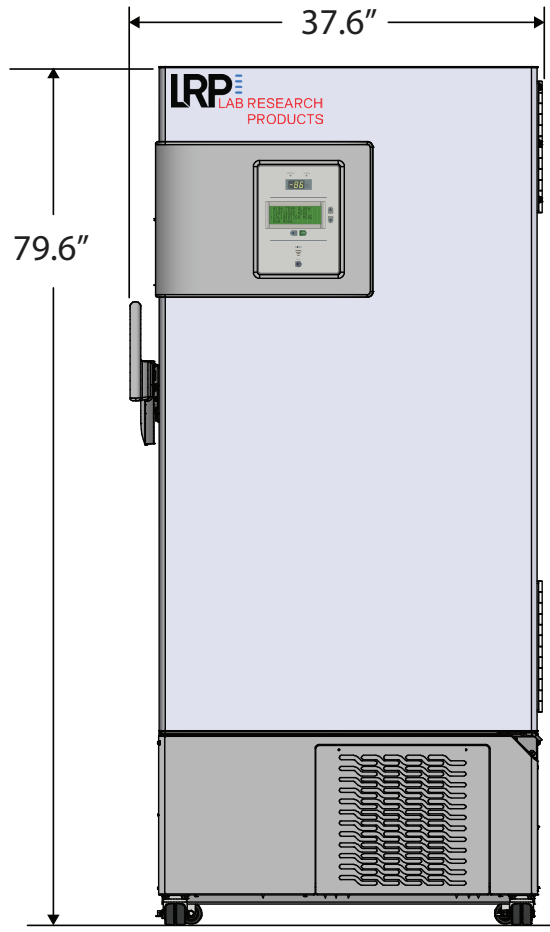
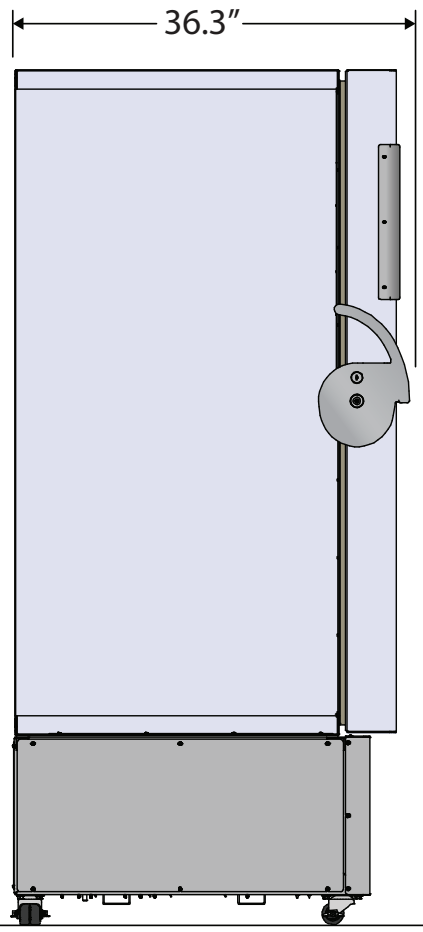


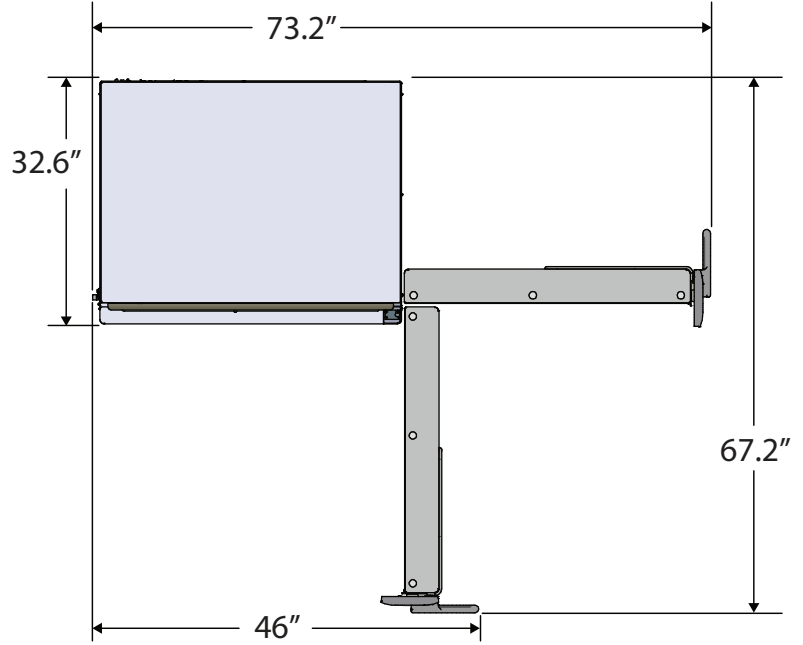
Front View




Side View



Top View




 230VAC/60Hz/1PH
 NEMA-6-15P

| Cu. Ft | Defrost | Door | Int Door | Shelves | W" | D" | H" | H.P. | Amps | Weight |
|--------|---------|---------|----------|---------|------|------|------|-------|------|----------|
| 17 | Manual | 1 Solid | 5 | 4 Fixed | 37.6 | 36.3 | 79.6 | ½ x ½ | 10 | 625 lbs. |