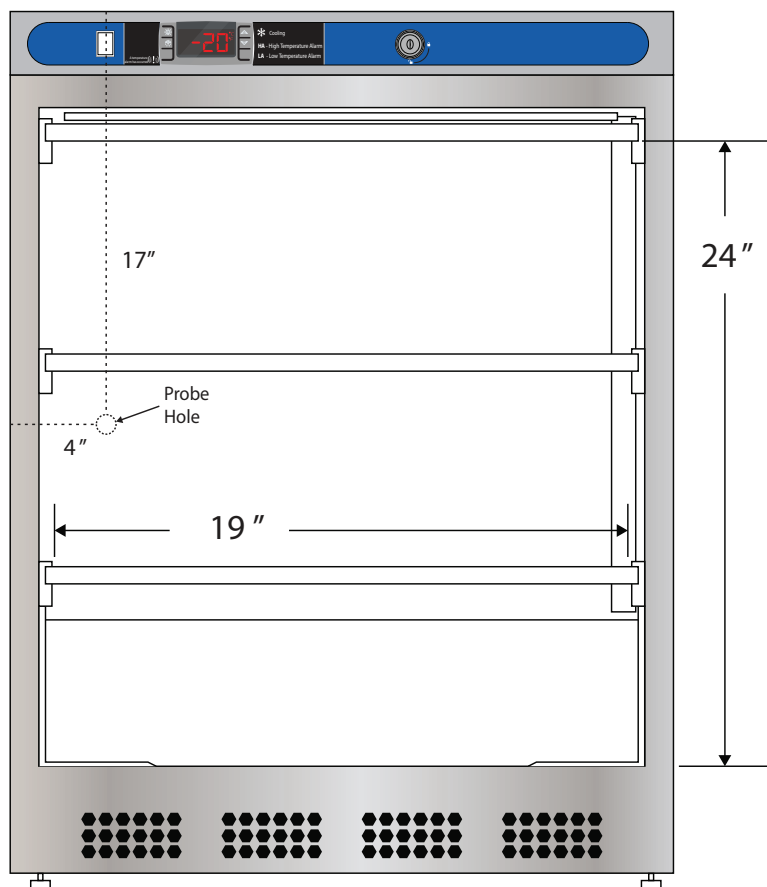
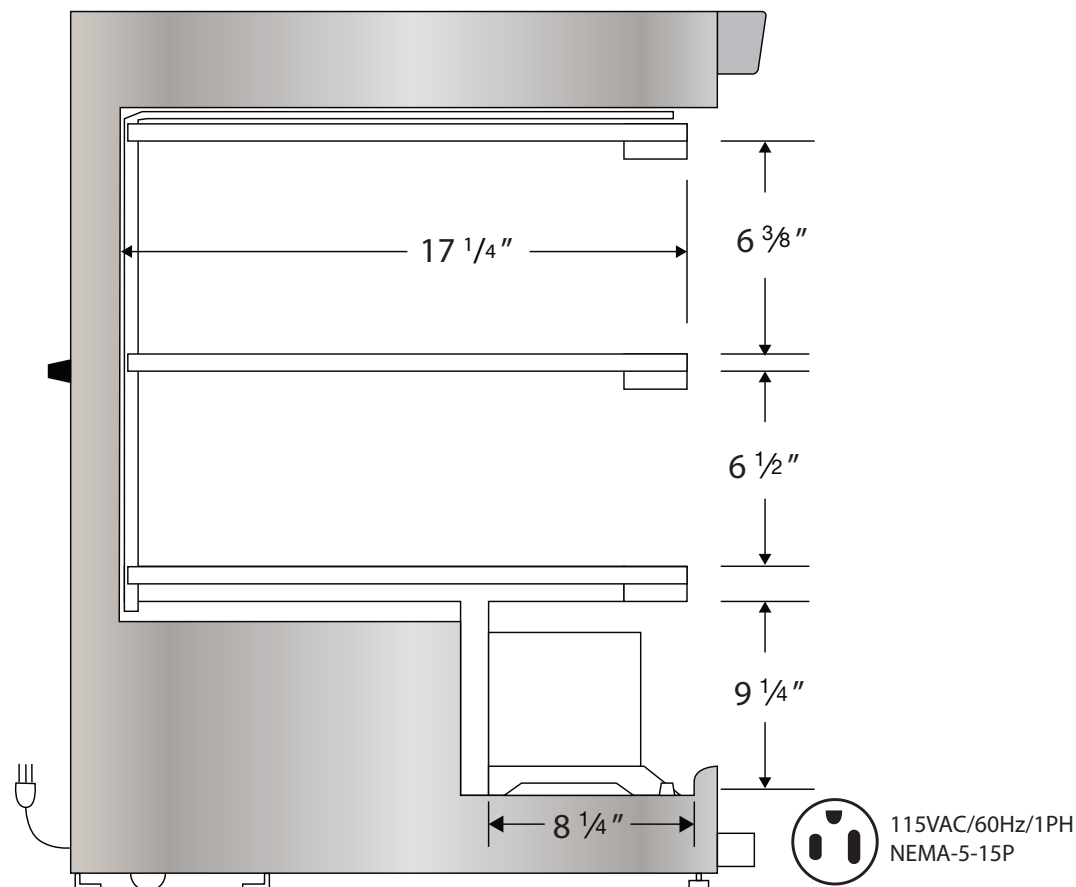


Front View



Side View



| Cu. Ft | Defrost | Door       | Int Door | Shelves | Interior Dim. |        |    | Refrigerant | H.P. | Amps | Weight   |
|--------|---------|------------|----------|---------|---------------|--------|----|-------------|------|------|----------|
|        |         |            |          |         | W"            | D"     | H" |             |      |      |          |
| 4.2    | Manual  | 1 Solid LH | 0        | 2 Fixed | 19            | 17 1/4 | 24 | R600a       | 1/8  | 1.5  | 100 lbs. |

Note: Interior dimensions are estimates and subject to change without notice