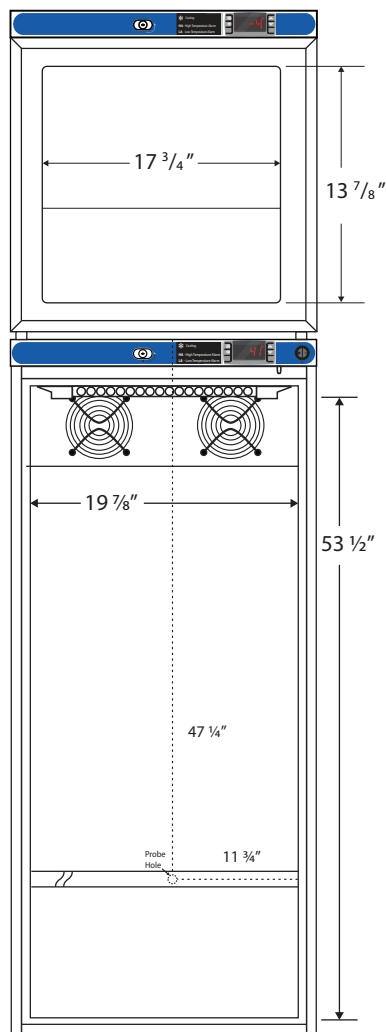
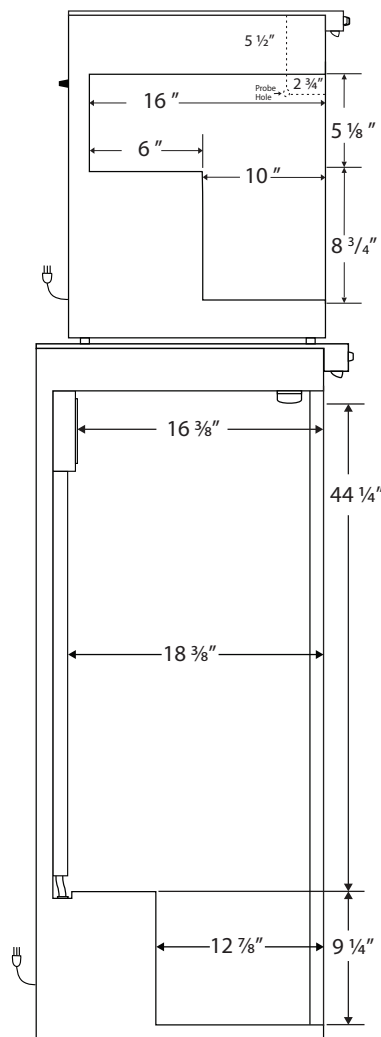


CUTSHEET

Front View



Side View



Compartment	Cu. Ft	Defrost	Door	Int Door	Shelves	Interior Dim.			Refrigerant	H.P.	Amps	Weight
						W"	D"	H"				
Freezer	1.7	Manual	1 Solid	0	2 Adj	17 3/4	16	13 7/8	R600a	1/8	1	246 lbs.
Refrigerator	10.5	Cycle	1 Glass	0	6 Adj	19 7/8	18 3/8	53 1/2	R600a	1/3	2.3	

Note: Interior dimensions are estimates and subject to change without notice