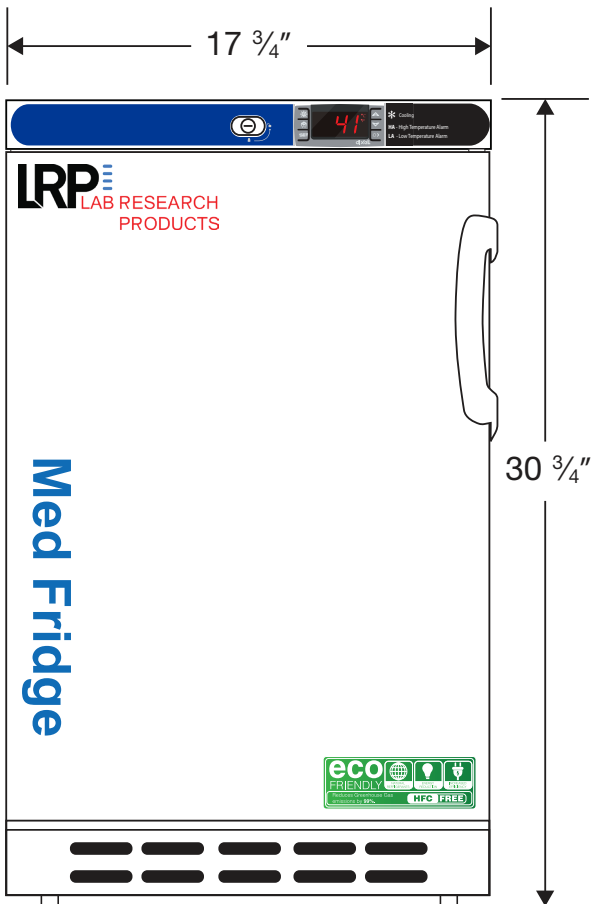
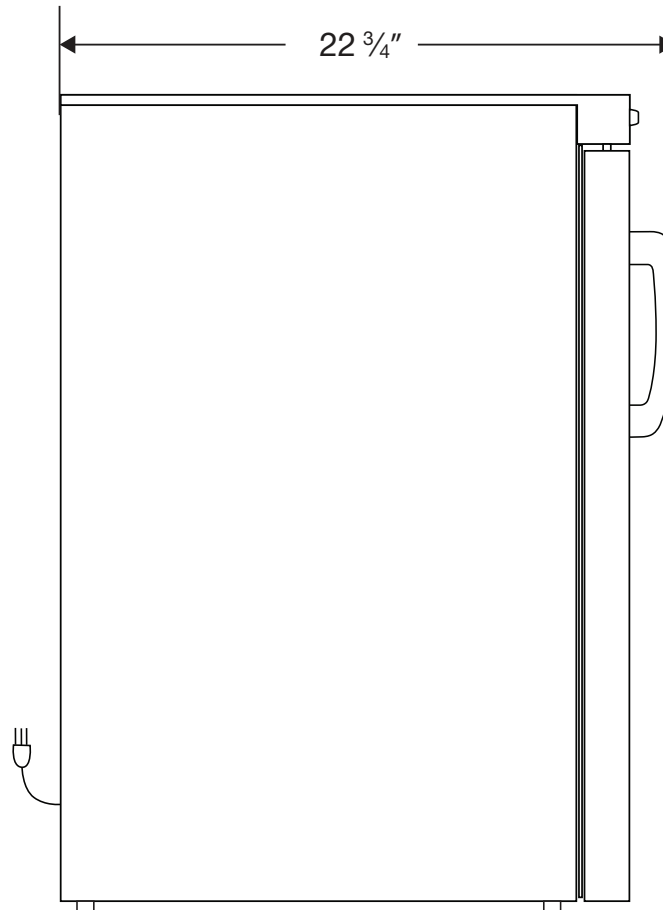


CUTSHEET

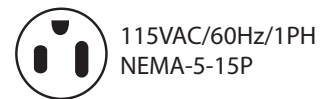
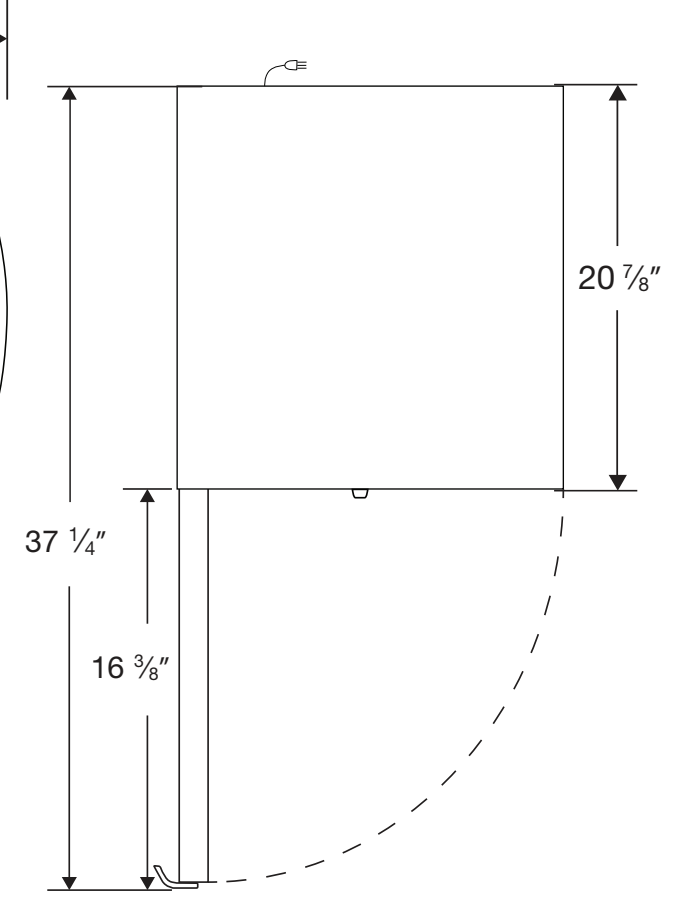
Front View



Side View



Top View



Cu. Ft	Defrost	Door	Int Door	Shelves	W"	D"	H"	Refrigerant	H.P.	Amps	Weight
2.5	Cycle	1 Solid LH	0	4 Adj	17 3/4	22 3/4	30 3/4	R600a	1/8	.90	69 lbs.