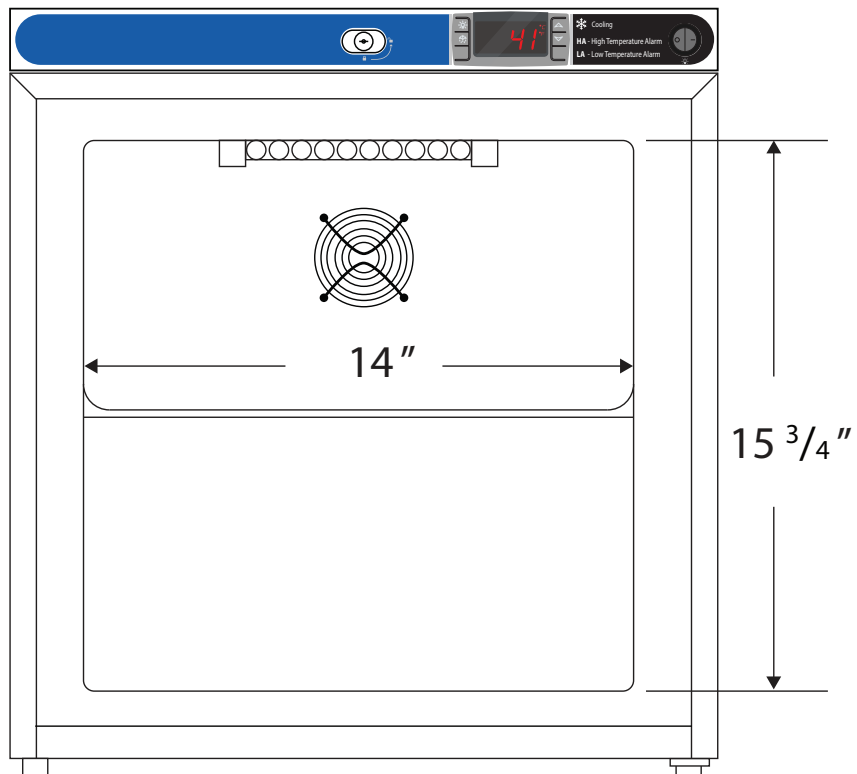
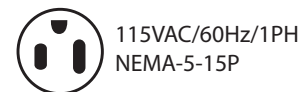
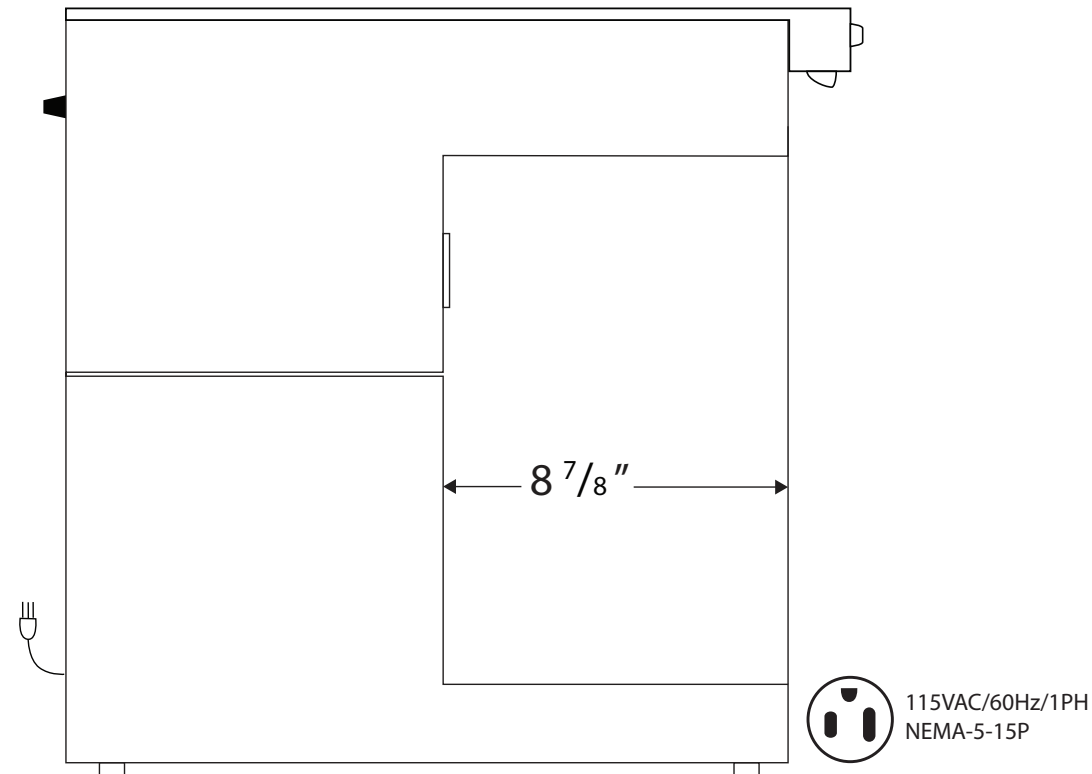


Front View



Side View



115VAC/60Hz/1PH
NEMA-5-15P

Cu. Ft	Defrost	Door	Int Door	Shelves	Interior Dim.			Refrigerant	H.P.	Amps	Weight
					W"	D"	H"				
1	Cycle	1 Solid (Reversible)	0	2 Adj	14	8 ⁷ / ₈	15 ³ / ₄	R600a	¹ / ₈	.90	63 lbs.