

LRP-HC-FFP-30

Product Description

This Plus Series flammable storage freezer offers a secure solution for storing volatile materials in laboratory and industrial settings. This model meets NFPA and OSHA guidelines 45 and 70 for the refrigerated storage of flammable (volatile) materials in general laboratory work areas. Featuring variable speed compressor technology, this freezer delivers powerful cooling designed to save energy and enhance system performance. Its temperature control is powered by microprocessor technology, protecting samples down to -25°C. Enjoy a robust alarm system to protect your samples, and benefit from natural hydrocarbon refrigerants that meet EPA SNAP standards for environmental safety. With low energy consumption and high safety standards, this freezer is an ideal solution for laboratories requiring flammable storage protection.

Images



Certifications



General Description and Application

Storage capacity (cu. ft)	30 Cu. Ft.
Door	One (1) solid swing, right hinged; stainless steel door handle; magnetic door gasket
Shelves	Four (4) fixed evaporator shelves
Mounting and Installation	Leveling legs
External probe access	3/4" probe access port on rear wall
Insulation	EPA compliant high density urethane foam
Exterior materials	Powder coated steel
Access control	Keyed door lock
General warranty	Two (2) year parts and labor warranty
Compressor warranty	Five (5) year compressor parts warranty
Product Weight (lbs)	300
Shipping Weight (lbs)	330
Rated Amperage	3.3 Amps
Power Plug/Power Cord	NEMA 5-15P plug, 6 ft long cord
Facility Electrical Requirement	110 - 120V AC, 15A breaker, NEMA 5-15 receptacle
Agency Listing and Certification	UL listed per UL 60335-1 and UL 60335-2-89 standards; c UL listed per CSA C22.2 No. 120 standard, in compliance with the requirements for Flammable Materials Storage Refrigerators as defined by NFPA 99 and 45

Performance

Uniformity (Cabinet air)	+/- 3°C
Stability (Cabinet air)	+/- 3°C
Maximum temperature variation (Cabinet air)	7°C Total
Energy Consumption (kWh/day)	5.2 kWh/day
Average Heat Rejection (BTU/hr)	740 BTU/hr
Pull down time to nominal operating temp	65 min (empty)

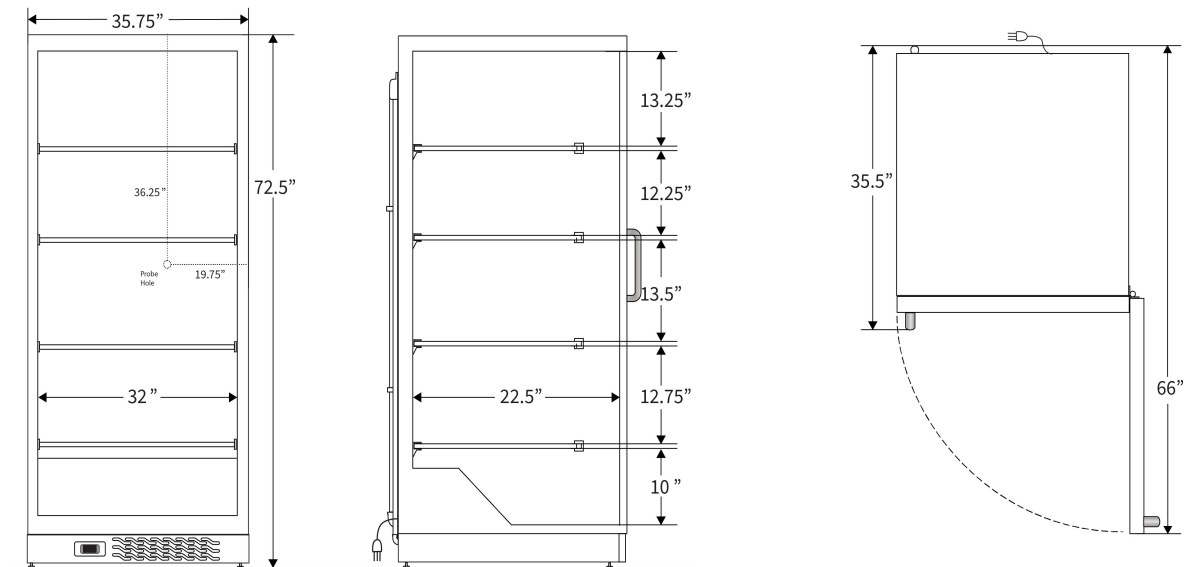
Refrigeration System	
Compressor	Hermetic, variable speed
Refrigerant	EPA SNAP compliant R290 propane
Condenser	Static - exterior walls of cabinet with auxiliary fan
Evaporator	Evaporator shelves
Defrost	Manual defrost

Controller, Configuration, Alarms and Monitoring	
Controller technology	Microprocessor temperature controller with variable frequency compressor control
Battery Backup	Temperature display and alarm only (no active cooling)
Display technology	Digital temperature display, sample simulated digital temperature display; .1° resolution
Adjustable Temperature Range	-15° C to -25° C
External alarm connection	Remote alarm contacts

Alarms
Audible and visual high and low temperature alarms, remote alarm contacts, sensor error alarm, power failure alarm, resettable 1-point min/max history, alarm validation (audible, visual, and remote alarm), alarm mute with ring back

Display Probe
Product simulator bottle with glass bead media

Disclaimers
Defrosting of the unit will need to be performed periodically to prevent severe ice build-up.
Indoor use only, +18° C to +26° C (+65° F to +78° F), <70% RH
Specifications are subject to change.
Equipment requires 4" of clearance around back and sides of the unit for proper ventilation – improper installation will void the warranty and will lead to temperature maintenance issues, overheating and possible failure.
Performance claims are based on testing at 22°C ambient using unbuffered air temperatures in an empty freezer at steady state operation.
Performance may vary with environmental conditions, product load, or door openings.



Contact		
Customer Service	800-648-4041 Option 3	customerservice@horizonscientific.com
Technical Service	800-648-4041 Option 5, Parts Option 4	technicalservice@horizonscientific.com