

LRP-VS-LP-12

Product Description

These Plus Series laboratory refrigerators are engineered with variable speed technology for exceptional efficiency and performance in clinical and research environments. They feature precise microprocessor temperature control and variable speed compressor technology. Enjoy low energy consumption and natural hydrocarbon refrigerants for cost-savings and energy efficiency. Security and monitoring features include a keyed door lock and comprehensive alarms with remote alarm contacts. The cabinet is built with durable powder-coated steel, a self-closing glass door, safety-shielded LED lighting, and adjustable interior shelving to enhance your workflow. This model delivers optimal temperature stability and includes a 2-year parts and labor warranty with a generous 7-year warranty on the compressor. These premier refrigerators are designed to increase performance and efficiency in your lab.

Images



Certifications



General Description and Application

| | |
|----------------------------------|---|
| Storage capacity (cu. ft) | 12 Cu. Ft. |
| Door | One (1) swing glass door, self-closing, right hinged, not reversible, magnetic door gasket |
| Shelves | Three (3) adjustable shelves (adjustable in 1/8" increments) |
| Mounting and Installation | Swivel casters - locking front casters |
| Interior Lighting | LED interior lights are safety shielded and switch controlled |
| Airflow Management | Forced draft air circulation, patented air flow technology |
| External probe access | 3/4" probe access port on rear wall |
| Insulation | Cabinet is foamed-in-place with EPA compliant high-density urethane foam |
| Exterior materials | White powder coated steel |
| Access control | Keyed door lock; compatible with optional digital lock (Pyxis, Omnicell, and AcuDose RX) |
| General warranty | Two (2) year parts and labor warranty |
| Compressor warranty | Seven (7) year compressor warranty |
| Product Weight (lbs) | 221 |
| Shipping Weight (lbs) | 254 |
| Rated Amperage | 2 Amps |
| Power Plug/Power Cord | NEMA 5-15 plug |
| Facility Electrical Requirement | 110 - 120V AC, 15A breaker, NEMA 5-15 receptacle |
| Agency Listing and Certification | ETL, C-ETL listed. Meets or exceeds ENERGY STAR® v2.0 for Laboratory Refrigerators. Official listing pending - see energystar.gov |

Performance

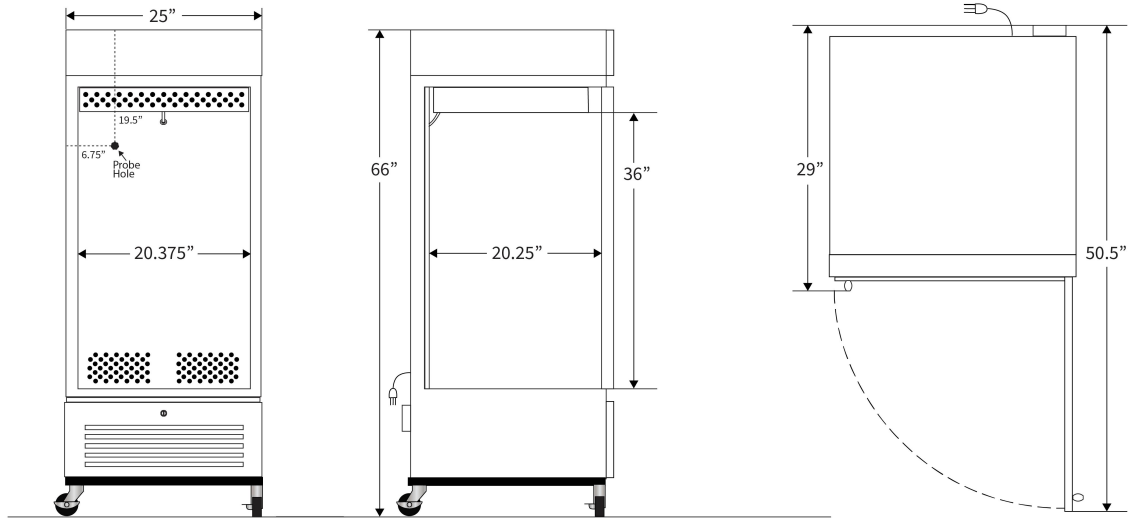
| | |
|---|--|
| Maximum temperature variation (Cabinet air) | +/- 1.5° C |
| Stability (Simulator ballast) | +/- 0.3° C |
| Adjustable Temperature Range | 2° C to 15° C |
| Stability (Simulator bag) | Non-applicable |
| Energy Consumption (KWh/day) | <0.9 KWh/day *meets ENERGY STAR® v2.0 for Laboratory Refrigerators |
| Average Heat Rejection (BTU/hr) | <250 BTU/h |
| Noise Pressure Level (dBA) | 40 dBA or less installed |
| Pull down time to nominal operating temp | < 30 min (empty) |

Performance Note

Max temperature variation based on an empty chamber at steady state using 15 bare (unweighted) thermocouple probes. Product loading, door openings, and ambient conditions will affect performance. Stability of simulator ballast based on bottle probe provided with the unit located center of empty chamber at steady state, no door openings

| Refrigeration System | |
|----------------------|--|
| Compressor | Hermetic, variable speed |
| Refrigerant | EPA SNAP compliant R600a Isobutane (Hydrocarbon natural refrigerant) |
| Condenser | Tube and grid, high efficiency fan forced air |
| Evaporator | Fin and tube, high efficiency fan forced air |
| Defrost | Cycle Defrost |

| Controller, Configuration, Alarms and Monitoring | |
|--|--|
| Controller technology | Microprocessor temperature controller with variable frequency compressor control, C°/F° switchable, resolution is 0.1° C/0.2° F |
| Battery Backup | For controller temperature display and alarms only, no cooling active |
| Display technology | Digital temperature display |
| Display probe | Product simulator bottle with glass bead media |
| Digital Communication | Non-applicable |
| Data Transfer | Non-applicable |
| External alarm connection | Remote alarm contacts |
| Alarms | Audible and visual high/low temperature alarms, remote alarm contacts, sensor error alarm, power failure alarm, door ajar alarm |
| Disclaimers | Refrigerator requires a minimum 2" of clearance around back and sides of the unit for proper ventilation (more if next to heat rejecting equipment) - improper installation will void the warranty and will lead to temperature maintenance issues, overheating and possible failure |



| Contact | | |
|-------------------|---------------------------------------|--|
| Customer Service | 800-648-4041 Option 3 | customerservice@horizonscientific.com |
| Technical Service | 800-648-4041 Option 5, Parts Option 4 | technicalservice@horizonscientific.com |

Rev_04.02.26