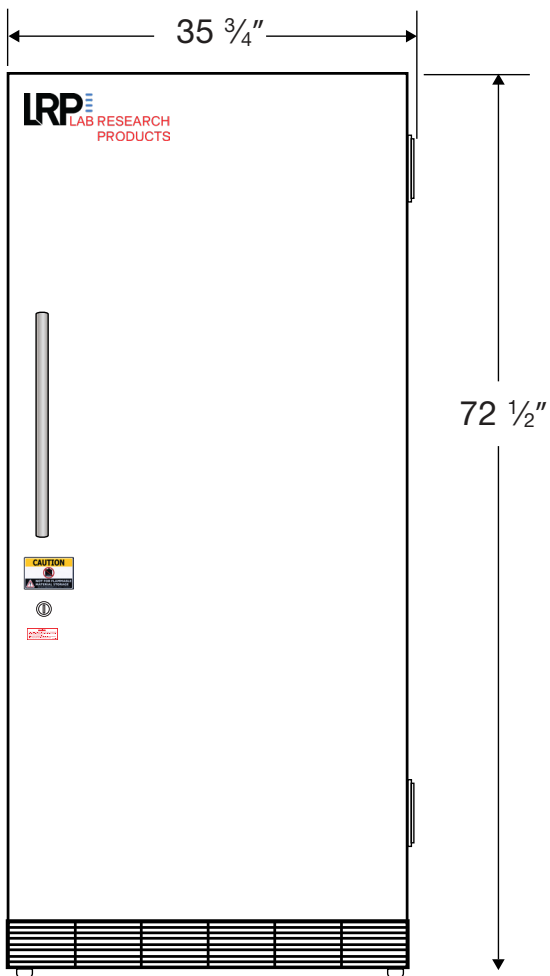
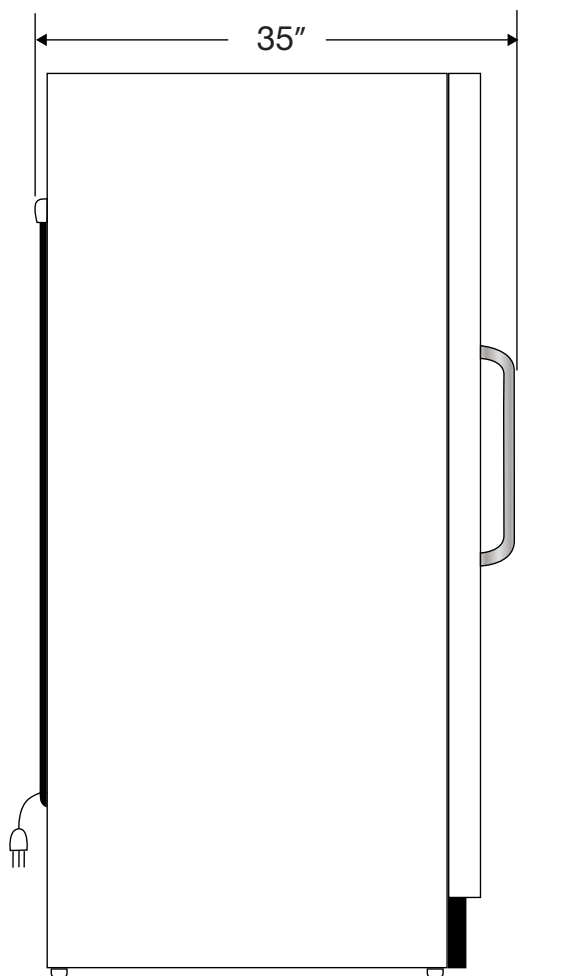


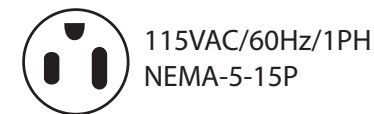
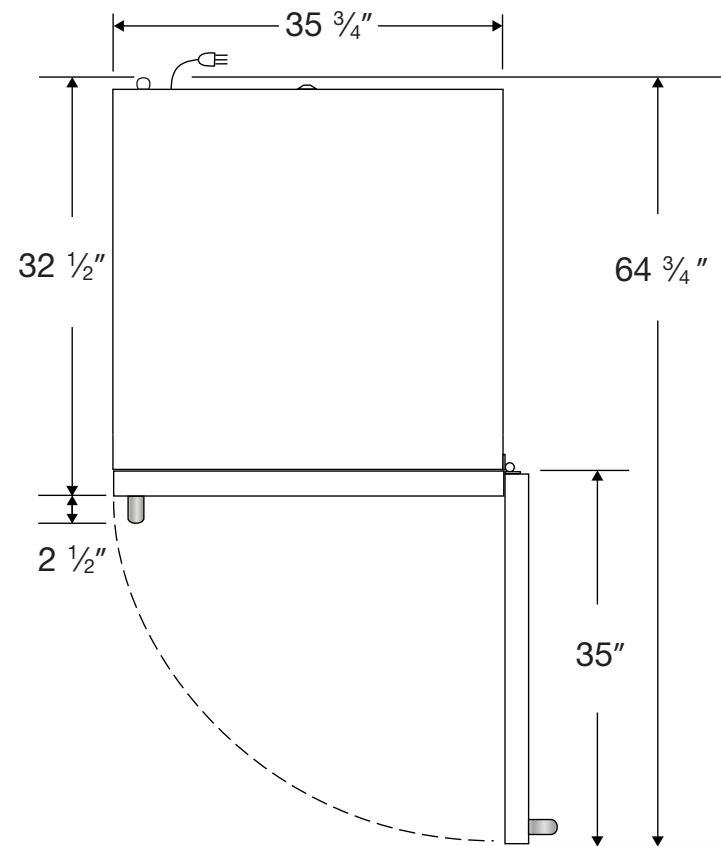
Front View



Side View



Top View



Cu. Ft	Defrost	Door	Int Door	Shelves	W"	D"	H"	Refrigerant	H.P.	Amps	Weight
30	Auto	1 Solid	0	5 Adj	35 3/4	35	72 1/2	R134a	1/3	6.8	340 lbs.