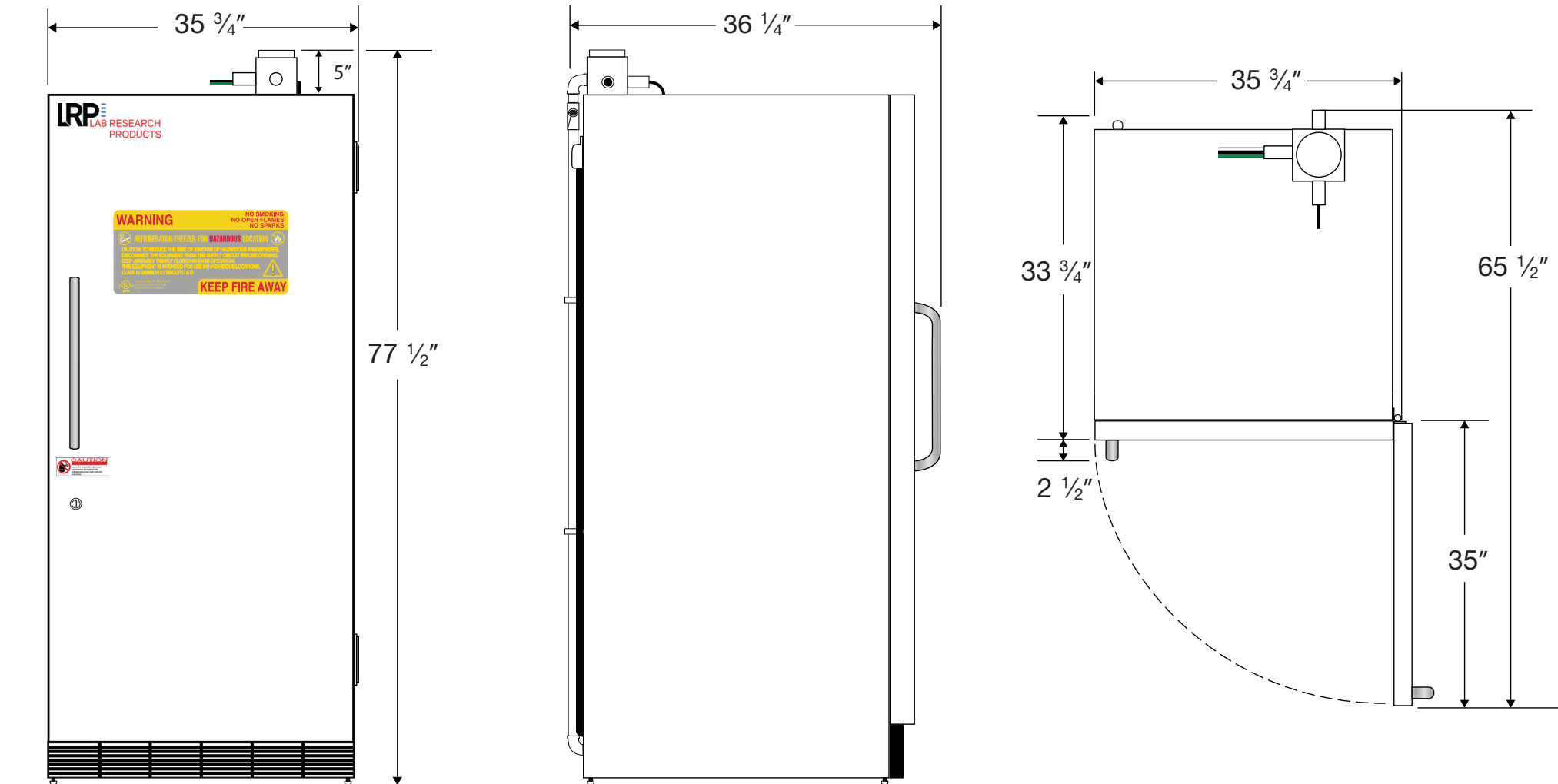


CUTSHEET

Front View

Side View

Top View



Factory Sealed Wires Only

Cu. Ft	Defrost	Door	Int Door	Shelves	W"	D"	H"	Refrigerant	H.P.	Amps	Weight
30	Manual	1 Solid	1 Freezer	3 Adj Refrigerator	35 3/4	36 1/4	77 1/2	R404a	1/3	6	348 lbs.