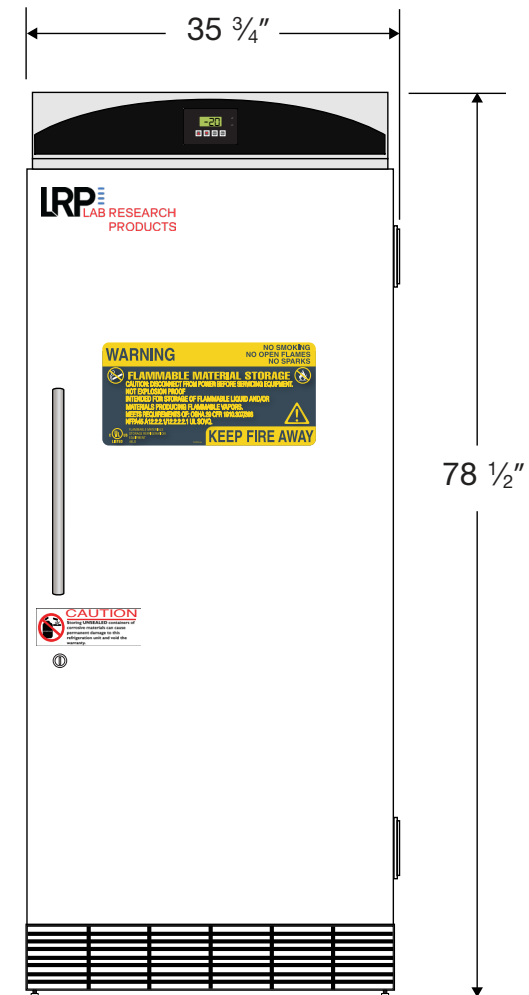
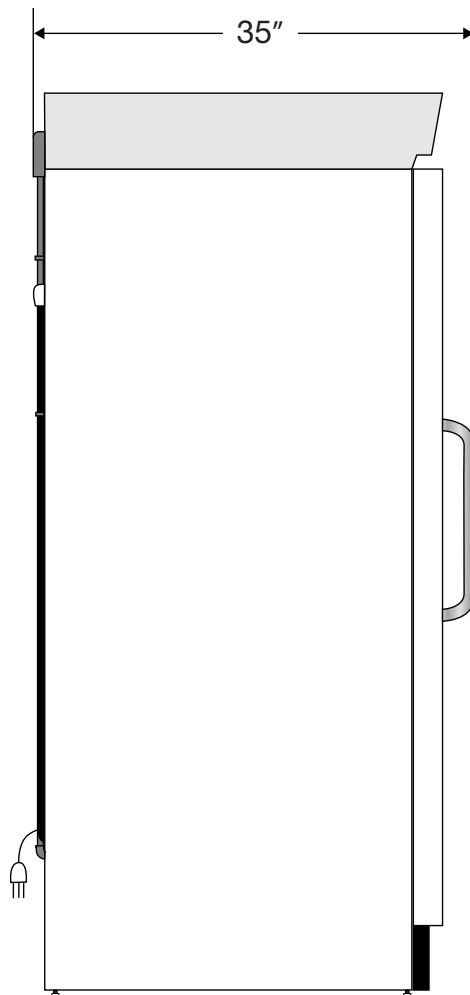


CUTSHEET

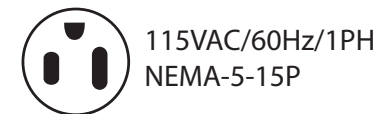
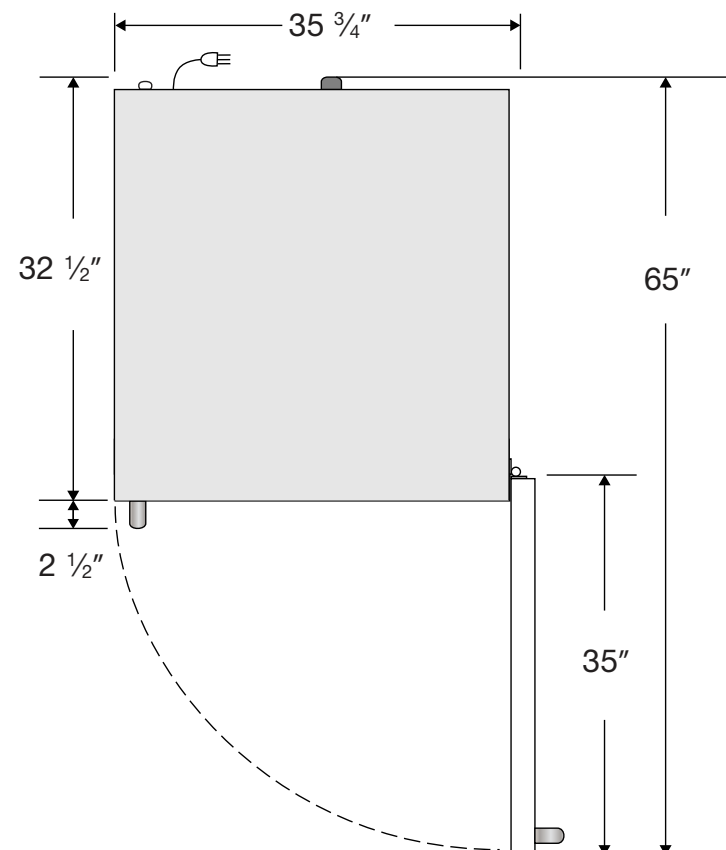
Front View



Side View



Top View



| Cu. Ft | Defrost | Door | Int Door | Shelves | W" | D" | H" | Refrigerant | H.P. | Amps | Weight |
|--------|---------|---------|----------|---------|--------|----|--------|-------------|------|------|----------|
| 30 | Manual | 1 Solid | 0 | 4 Fixed | 35 3/4 | 35 | 78 1/2 | R404a | 1/3 | 6 | 353 lbs. |