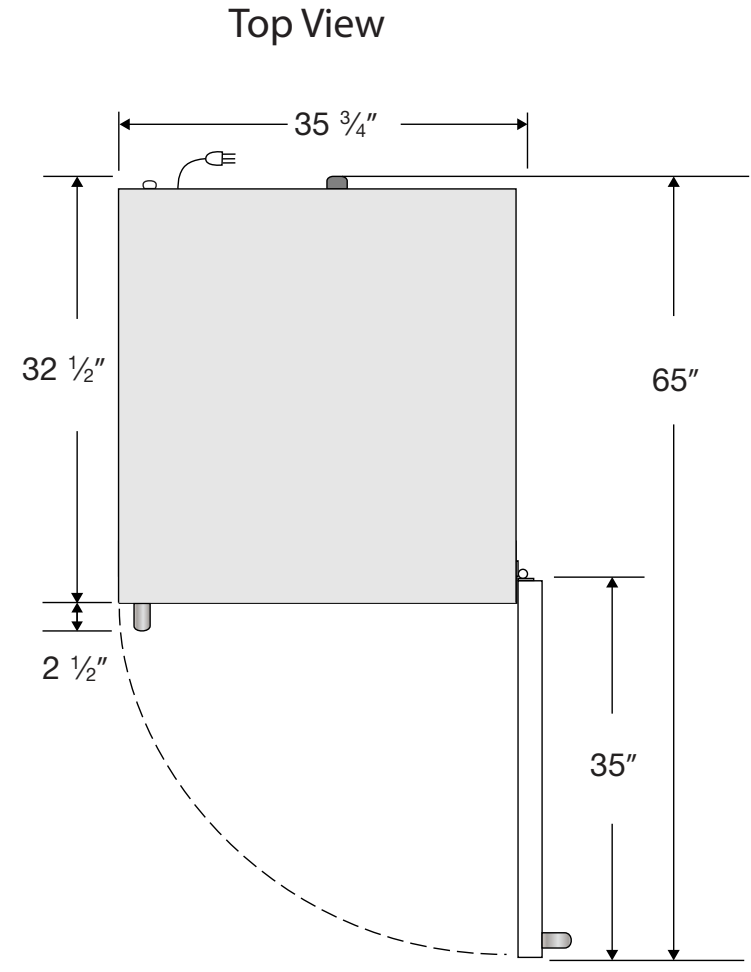
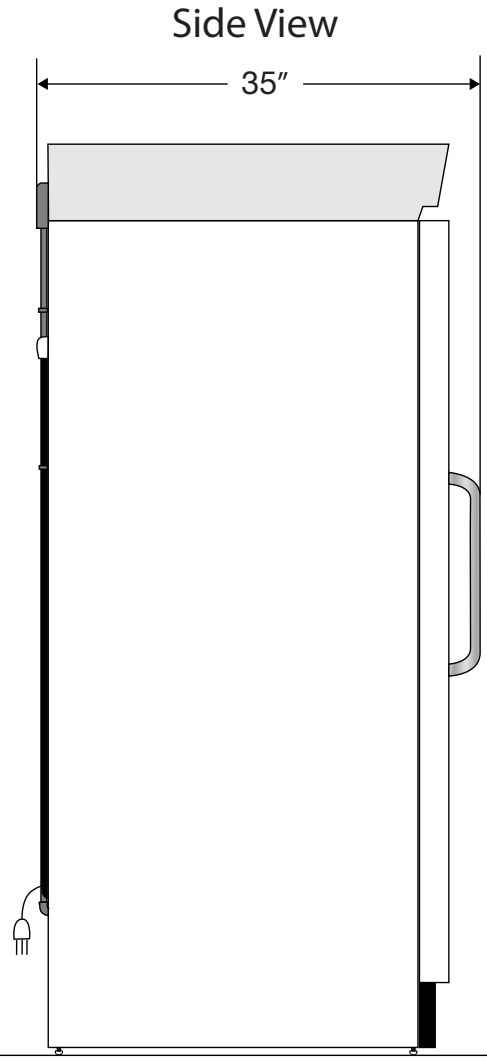
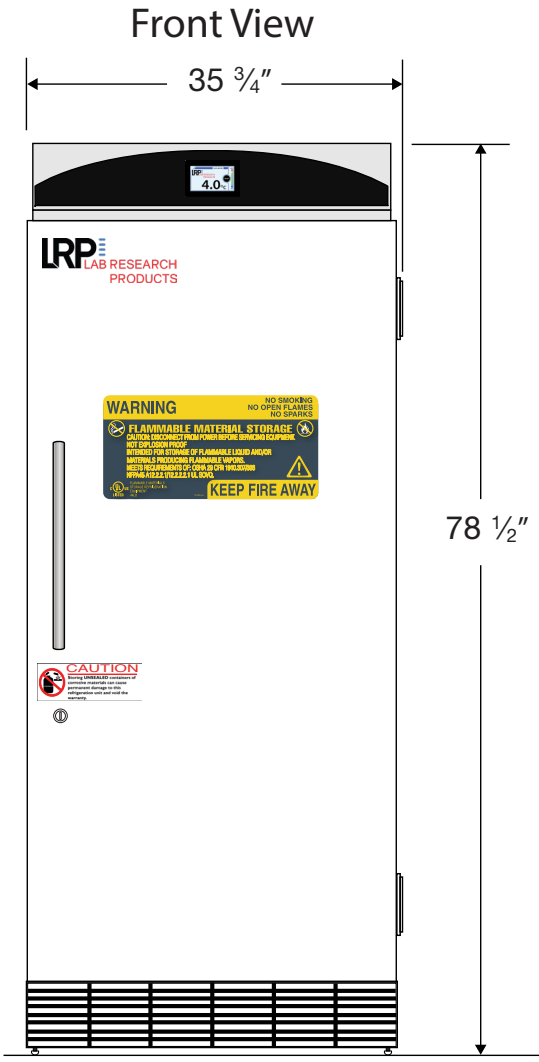


### CUTSHEET

## Exterior LRP-FRP-30-TS



115VAC/60Hz/1PH  
NEMA-5-15P

Cu. Ft	Defrost	Door	Int Door	Shelves	W"	D"	H"	Refrigerant	H.P.	Amps	Weight
30	Cycle	1 Solid	0	5 Adj	35 <sup>3</sup> / <sub>4</sub>	35	78 <sup>1</sup> / <sub>2</sub>	R404a	<sup>1</sup> / <sub>3</sub>	6	361 lbs.