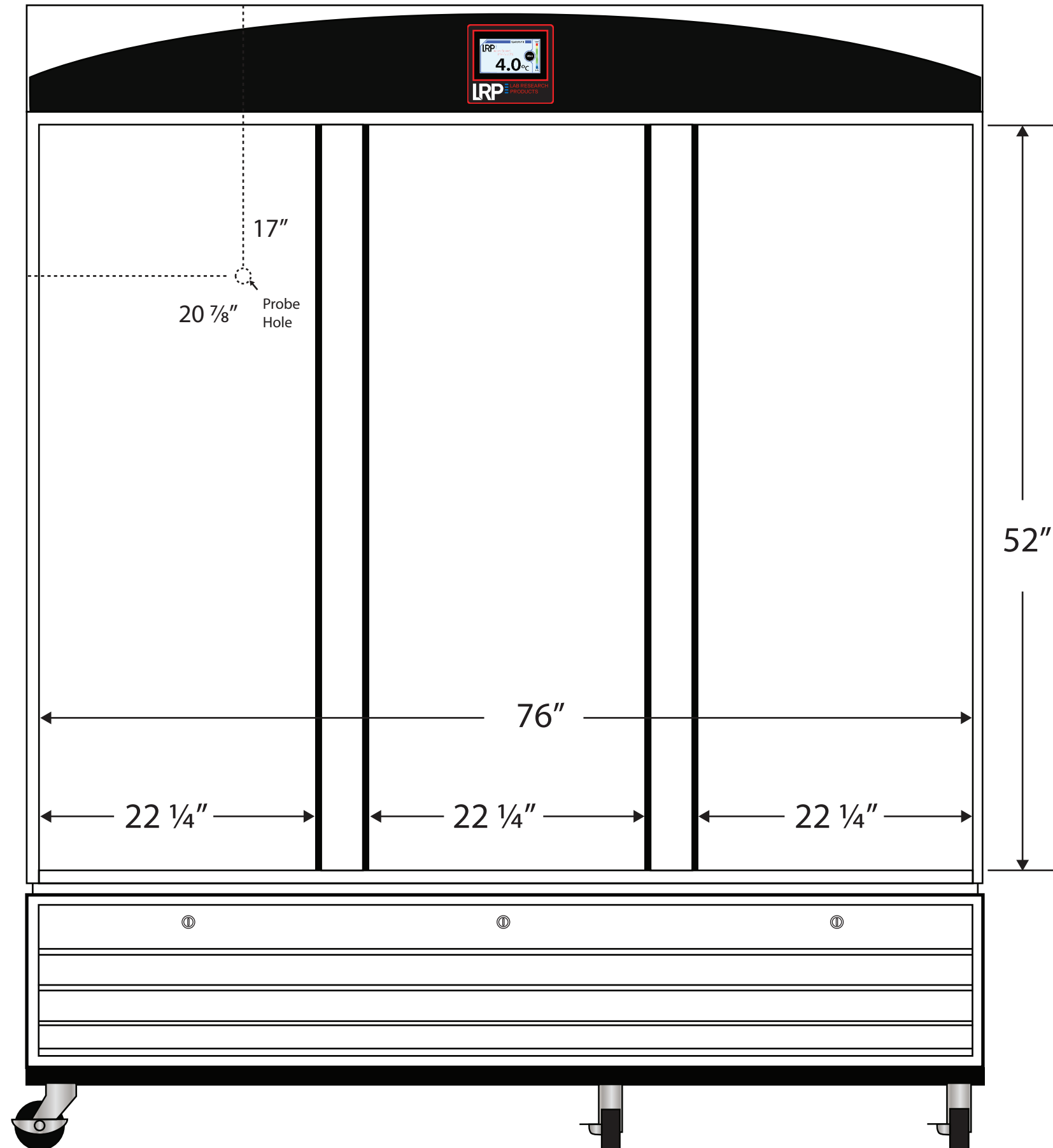
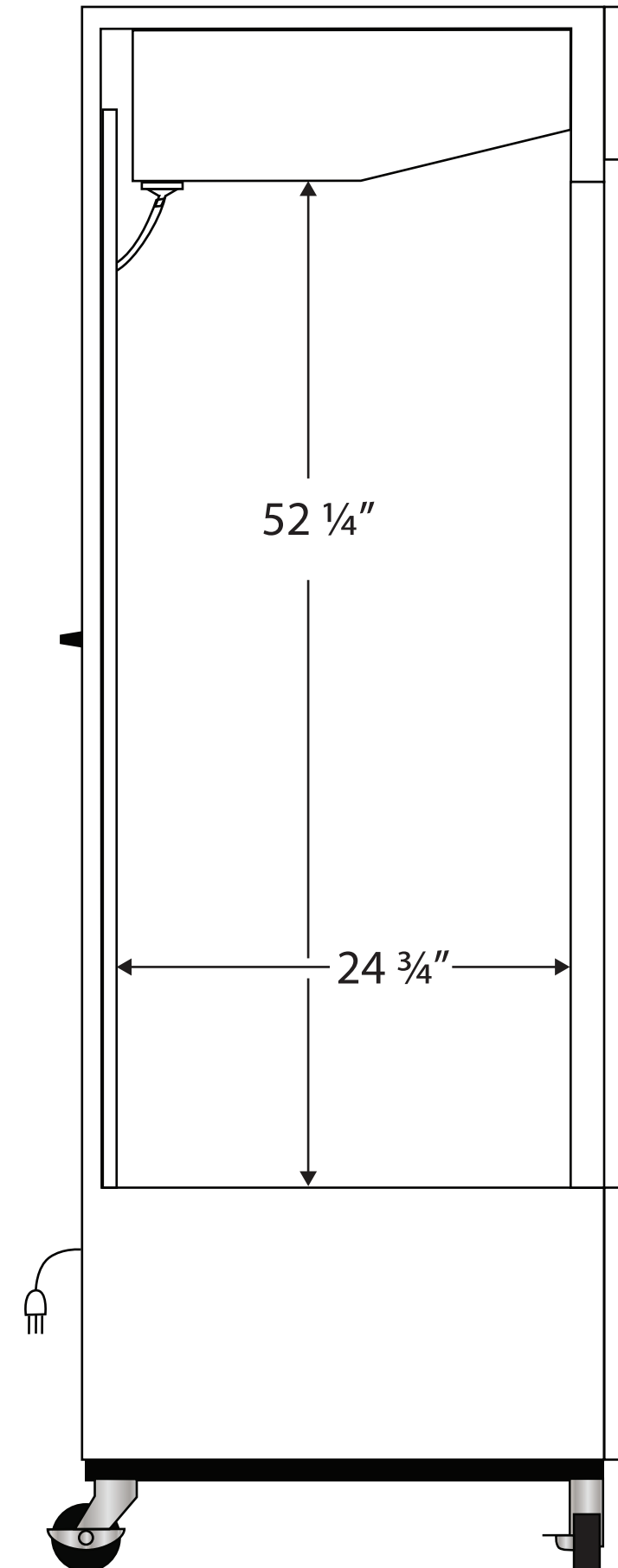


CUTSHEET

Front View



Side View



115VAC/60Hz/1PH  
NEMA-5-15P

| Cu. Ft | Defrost | Door    | Int Door | Shelves | Interior Dim. |        |        | Refrigerant | H.P. | Amps | Weight   |
|--------|---------|---------|----------|---------|---------------|--------|--------|-------------|------|------|----------|
|        |         |         |          |         | W"            | D"     | H"     |             |      |      |          |
| 72     | Cycle   | 3 Solid | 0        | 12 Adj  | 76            | 24 3/4 | 52 1/4 | R290        | 1/2  | 7.5  | 550 lbs. |

Note: Interior dimensions are estimates and subject to change without notice