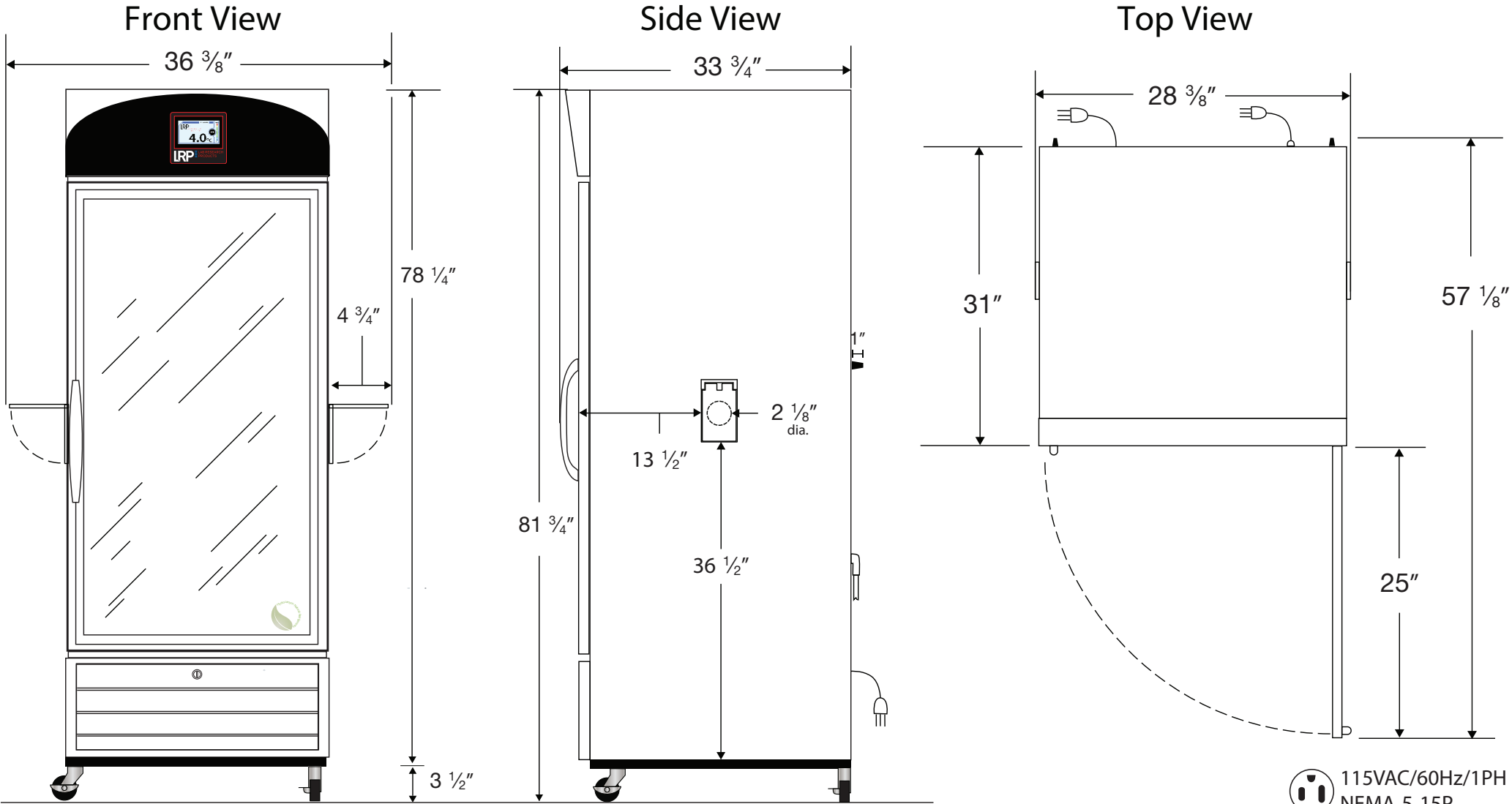


CUTSHEET



115VAC/60Hz/1PH
NEMA-5-15P

| Cu. Ft | Defrost | Door | Int Door | Shelves | W" | D" | H" | Refrigerant | H.P. | Amps | Weight |
|--------|---------|---------|----------|---------|--------|--------|--------|-------------|------|------|----------|
| 23 | Cycle | 1 Glass | 0 | 4 Adj | 28 3/8 | 34 3/4 | 81 3/4 | R290 | 1/5 | 3 | 296 lbs. |