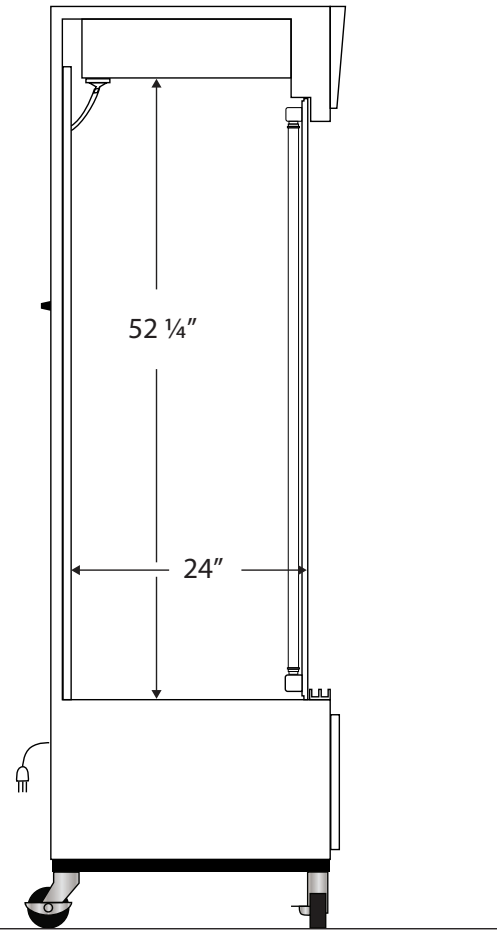
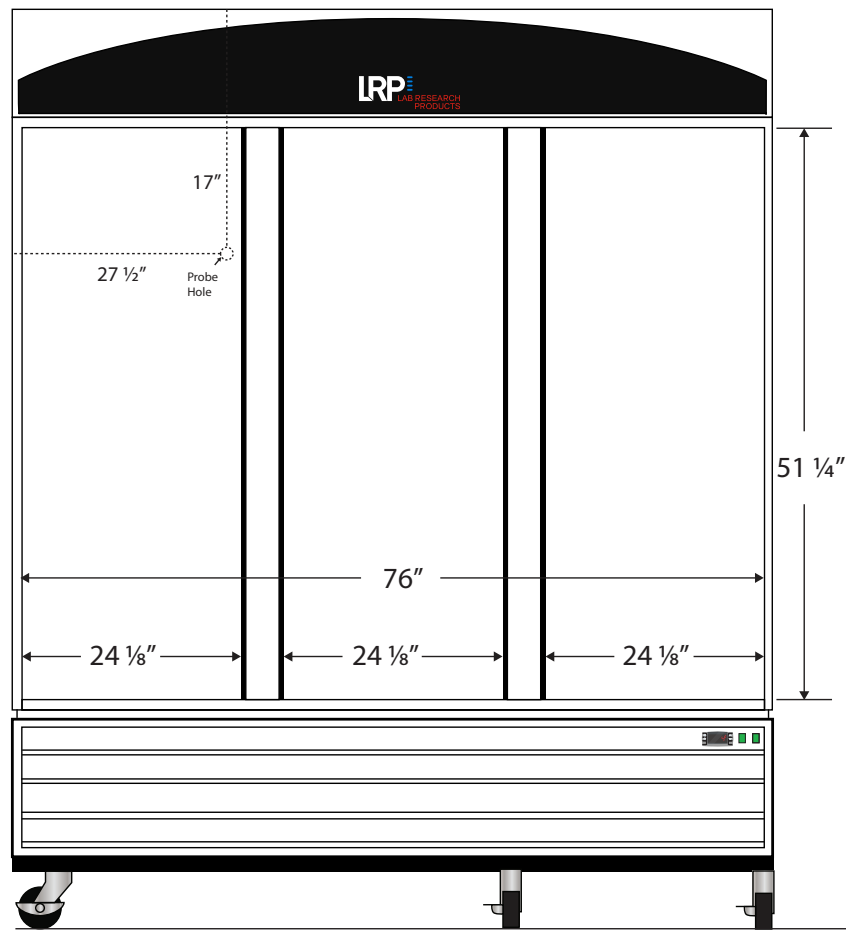



CUTSHEET

Front View

Side View



 115VAC/60Hz/1PH  
NEMA-5-15P

Cu. Ft	Defrost	Door	Int Door	Shelves	W"	D"	H"	Refrigerant	H.P.	Amps	Weight
69	Cycle	3 Glass (Sliding)	0	12 Adj	76	24	52 1/4	R290	1/2	7.5	688 lbs.

Note: Interior dimensions are estimates and subject to change without notice