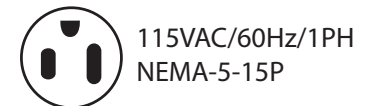
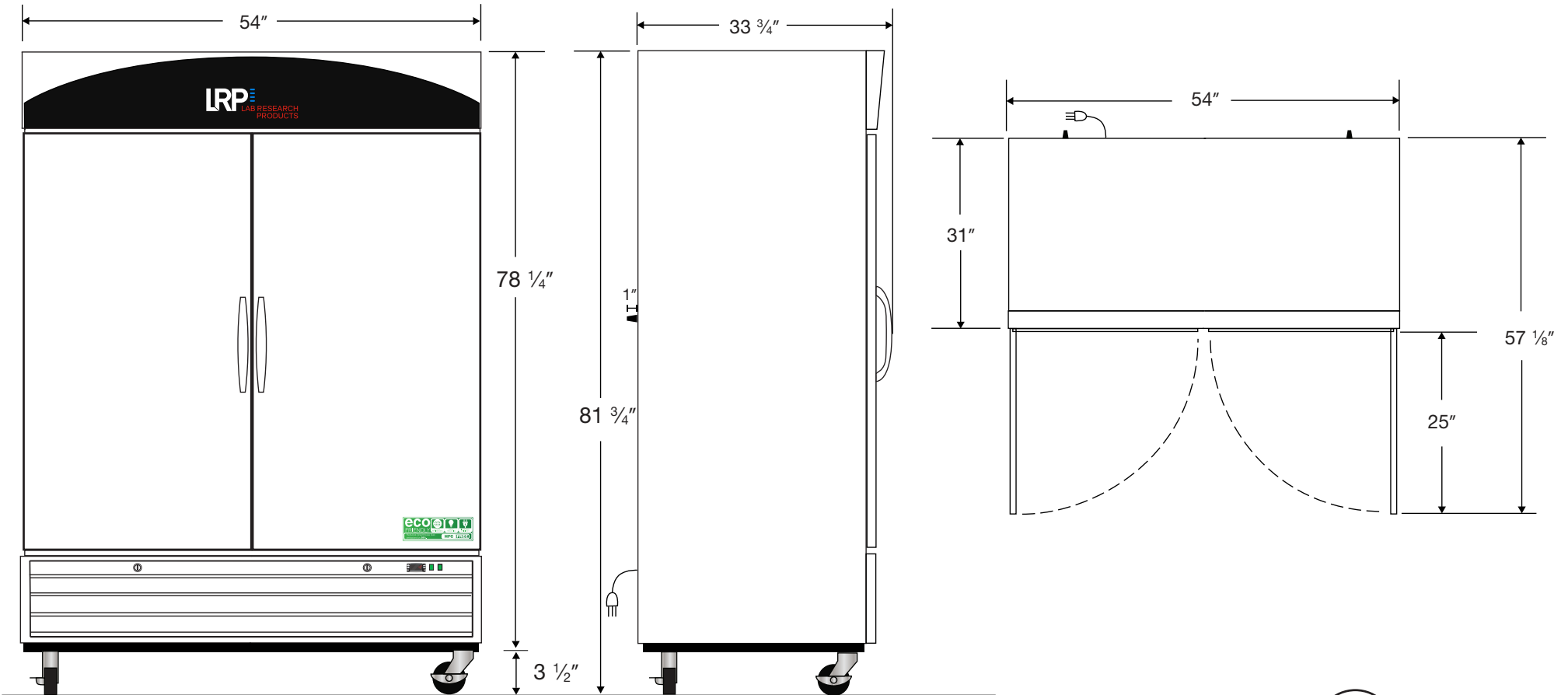


Front View

Side View

Top View



| Cu. Ft | Defrost | Door    | Int Door | Shelves | W" | D"     | H"     | Refrigerant | H.P. | Amps | Weight   |
|--------|---------|---------|----------|---------|----|--------|--------|-------------|------|------|----------|
| 49     | Cycle   | 2 Solid | 0        | 8 Adj.  | 54 | 34 3/4 | 81 3/4 | R290        | 1/4  | 4.5  | 396 lbs. |