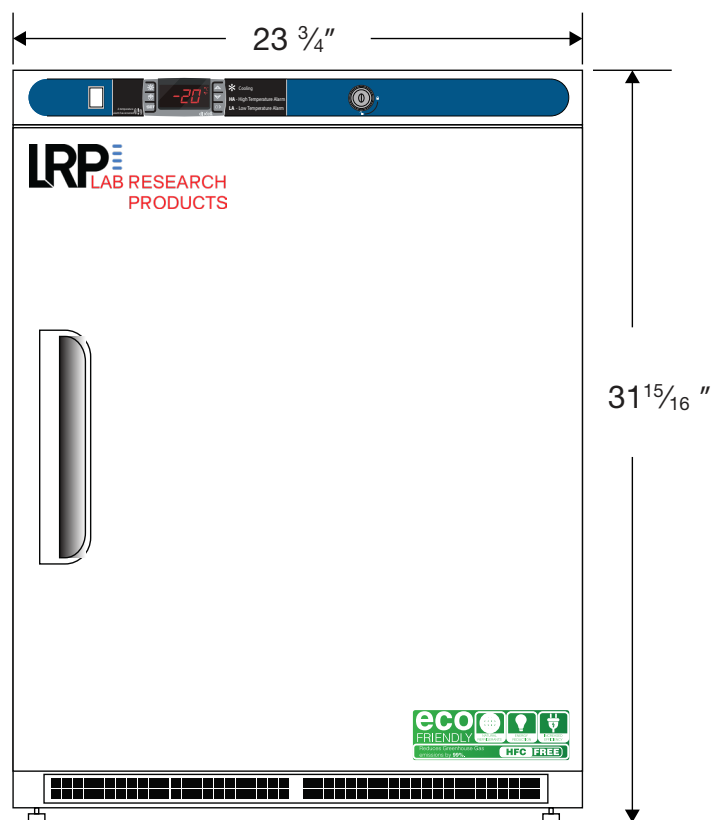
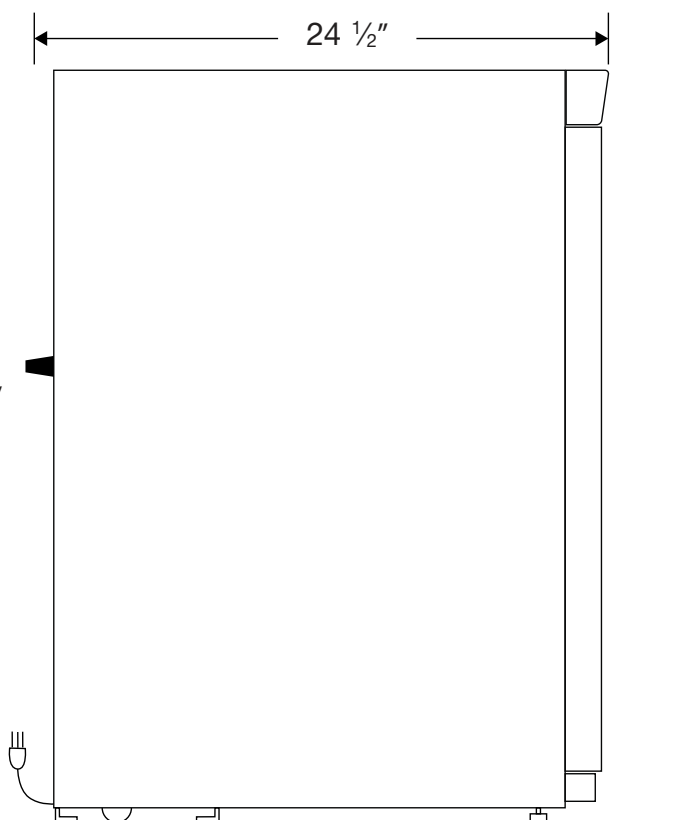


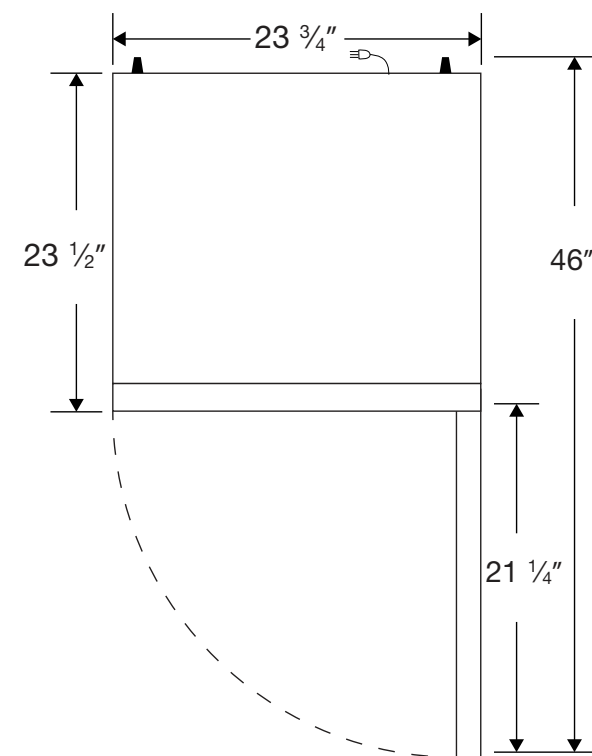
Front View



Side View



Top View



**32" HEIGHT MEETS ADA GUIDELINES**

115VAC/60Hz/1PH  
NEMA-5-15P

Cu. Ft	Defrost	Door	Int Door	Shelves	W"	D"	H"	Refrigerant	H.P.	Amps	Weight
4.2	Manual	1 Solid	0	2 Fixed	23 <sup>3</sup> / <sub>4</sub>	24 <sup>1</sup> / <sub>2</sub>	31 <sup>15</sup> / <sub>16</sub>	R600a	<sup>1</sup> / <sub>8</sub>	1.5	108 lbs.