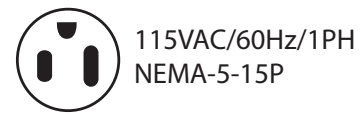
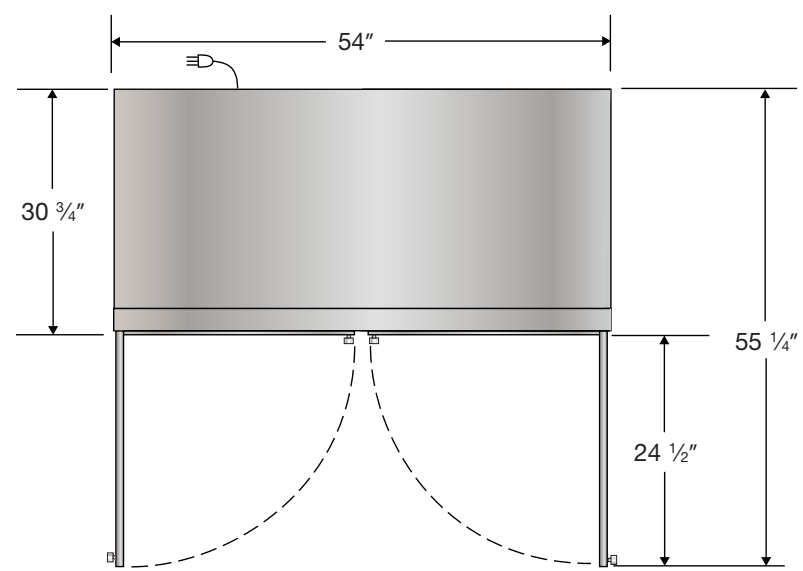
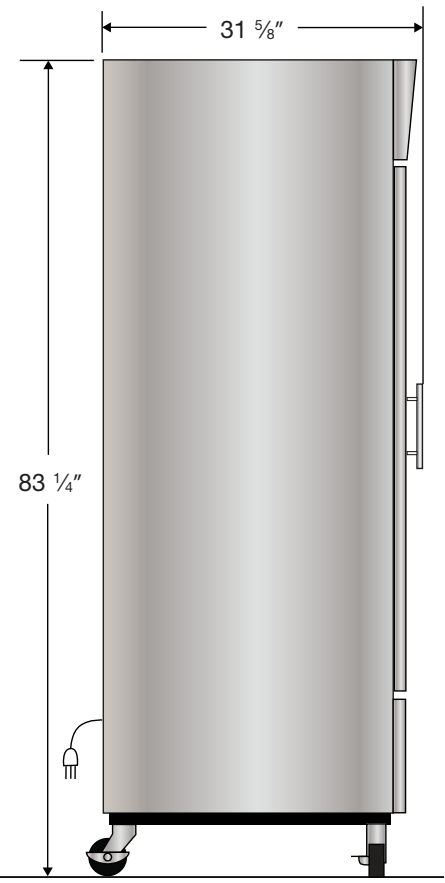
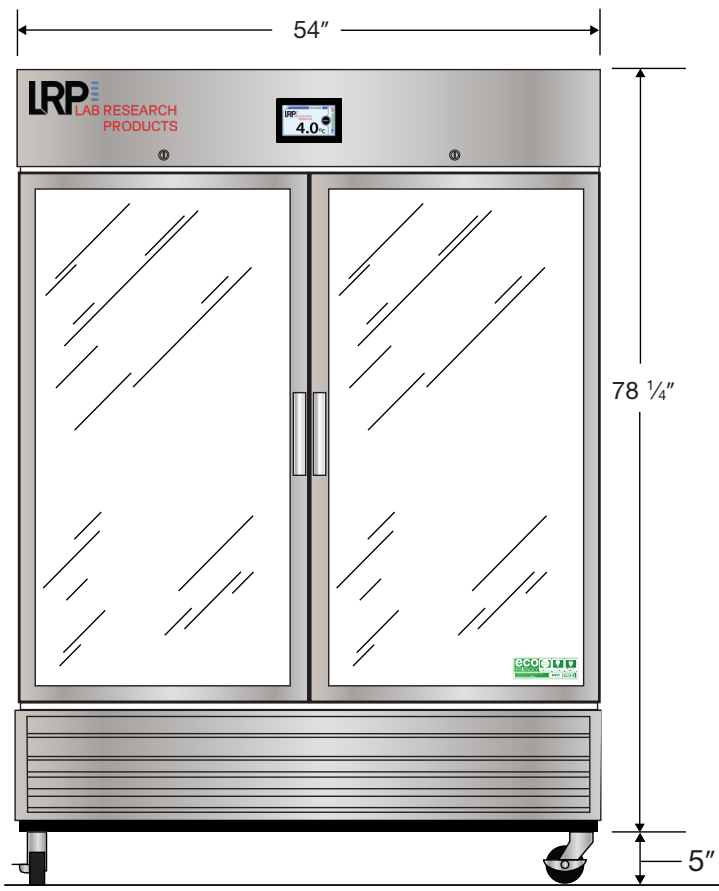


Front View

Side View

Top View



Cu. Ft	Defrost	Door	Int Door	Shelves	W"	D"	H"	Refrigerant	H.P.	Amps	Weight
49	Cycle	2 Glass	0	6 Adj	54	31 5/8	83 1/4	R290	1/2	5.4	435 lbs.