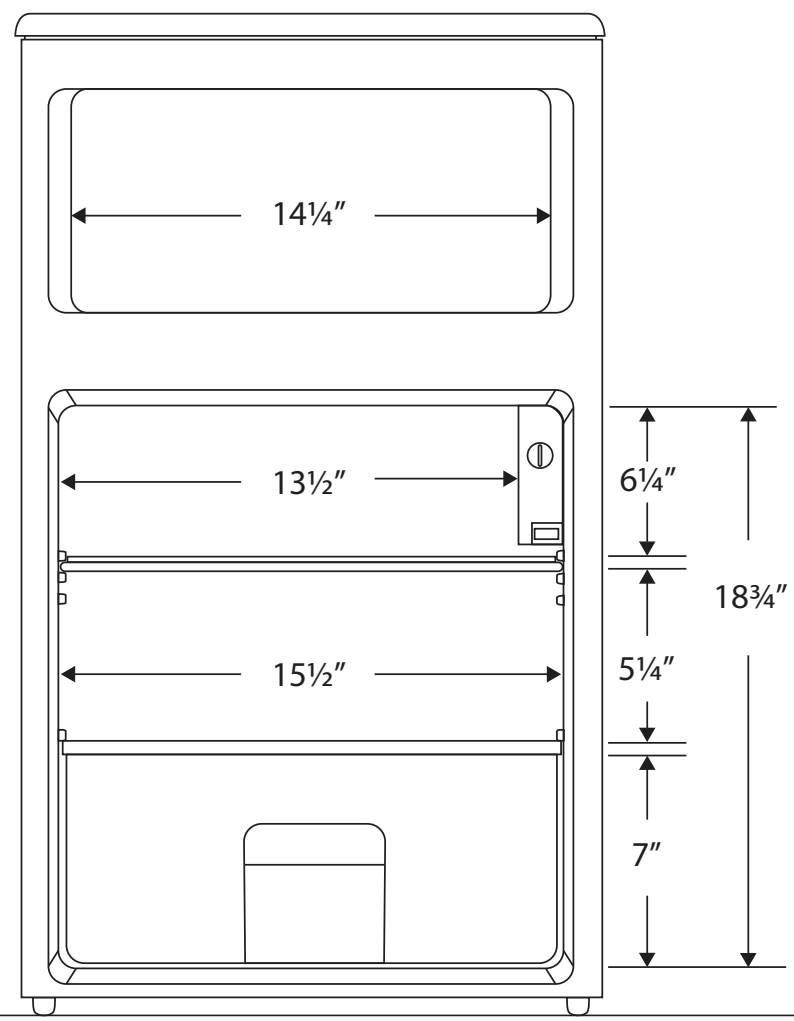
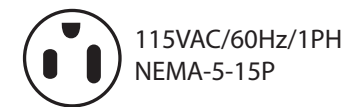
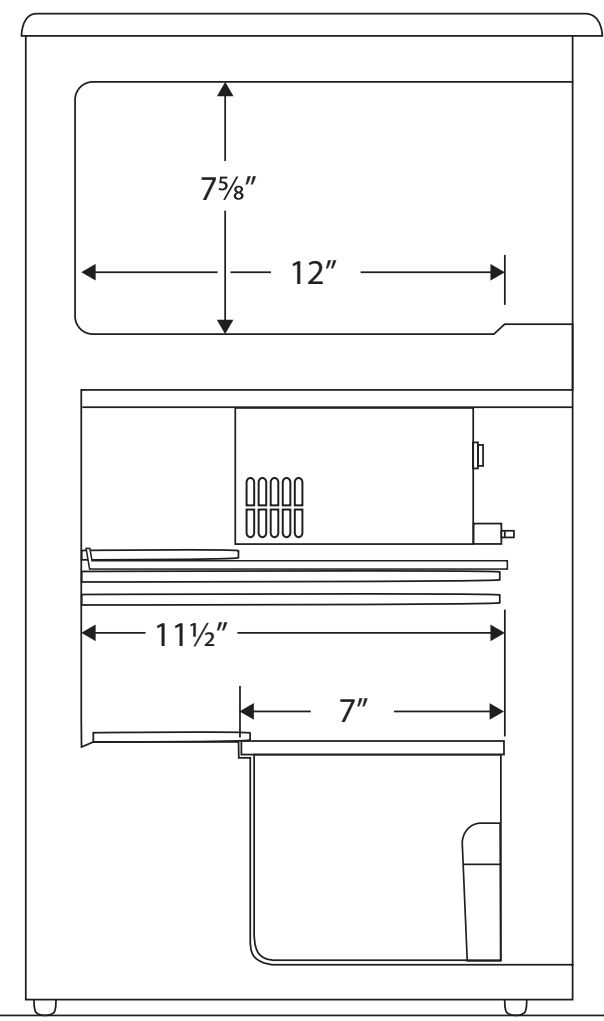


CUTSHEET

Front View



Side View



Compartment	Cu. Ft	Defrost	Door	Int Door	Shelves	Interior Dim.			Refrigerant	H.P.	Amps	Weight
						W"	D"	H"				
Freezer	1	Manual	1 Solid	0	1 Adj.	14 1/4	12	7 5/8	R600a	1/6	1.3	47 lbs.
Refrigerator	2	Cycle	1 Solid	0	1 Fixed	15 1/2	11 1/2	18 3/4				

Note: Interior dimensions are estimates and subject to change without notice