

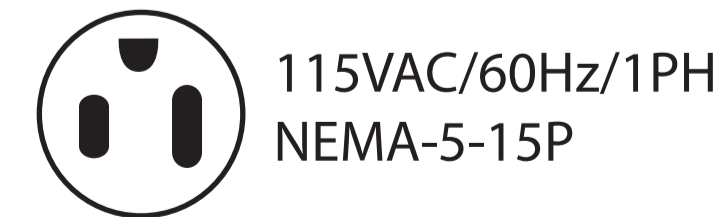
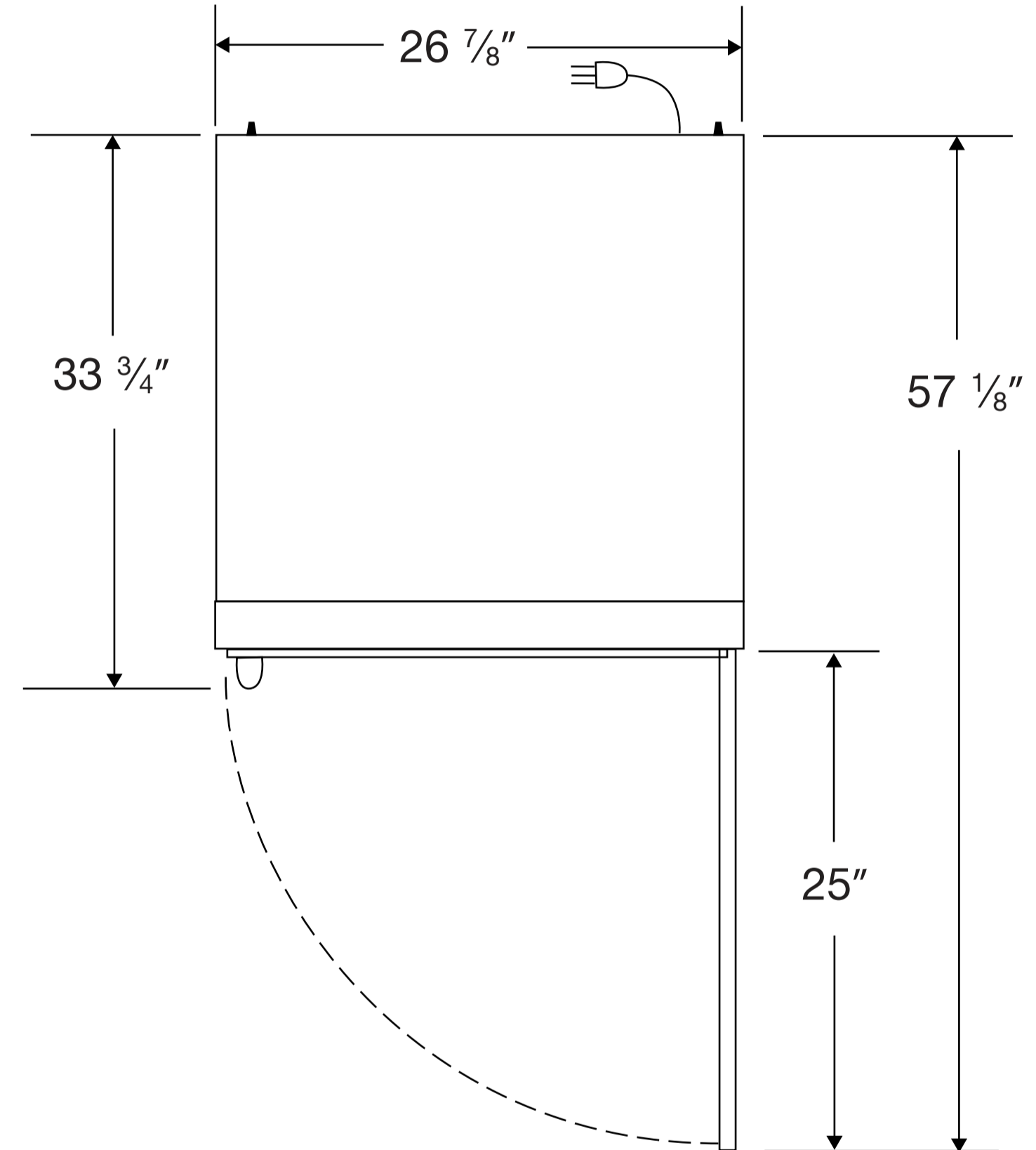
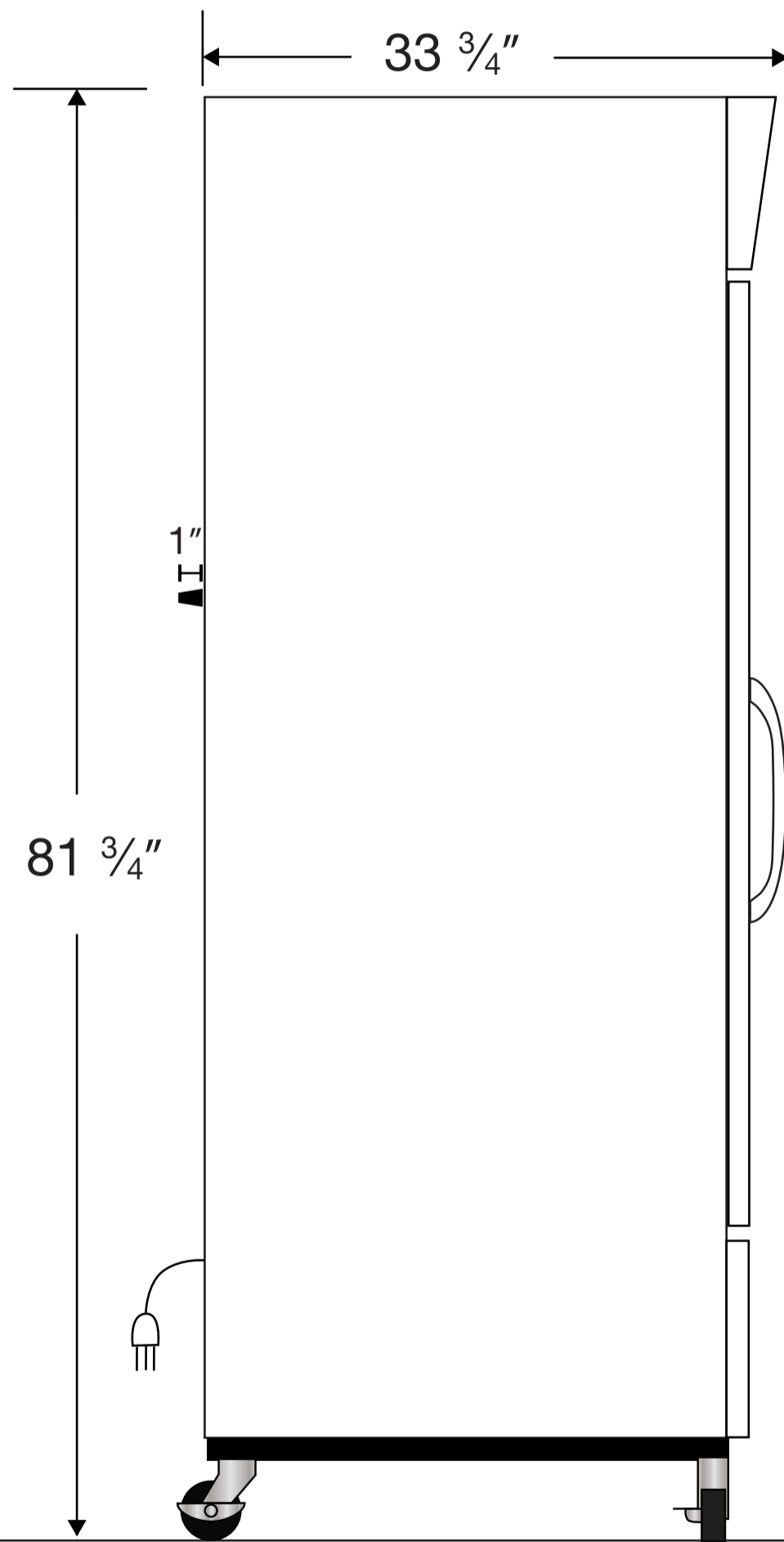
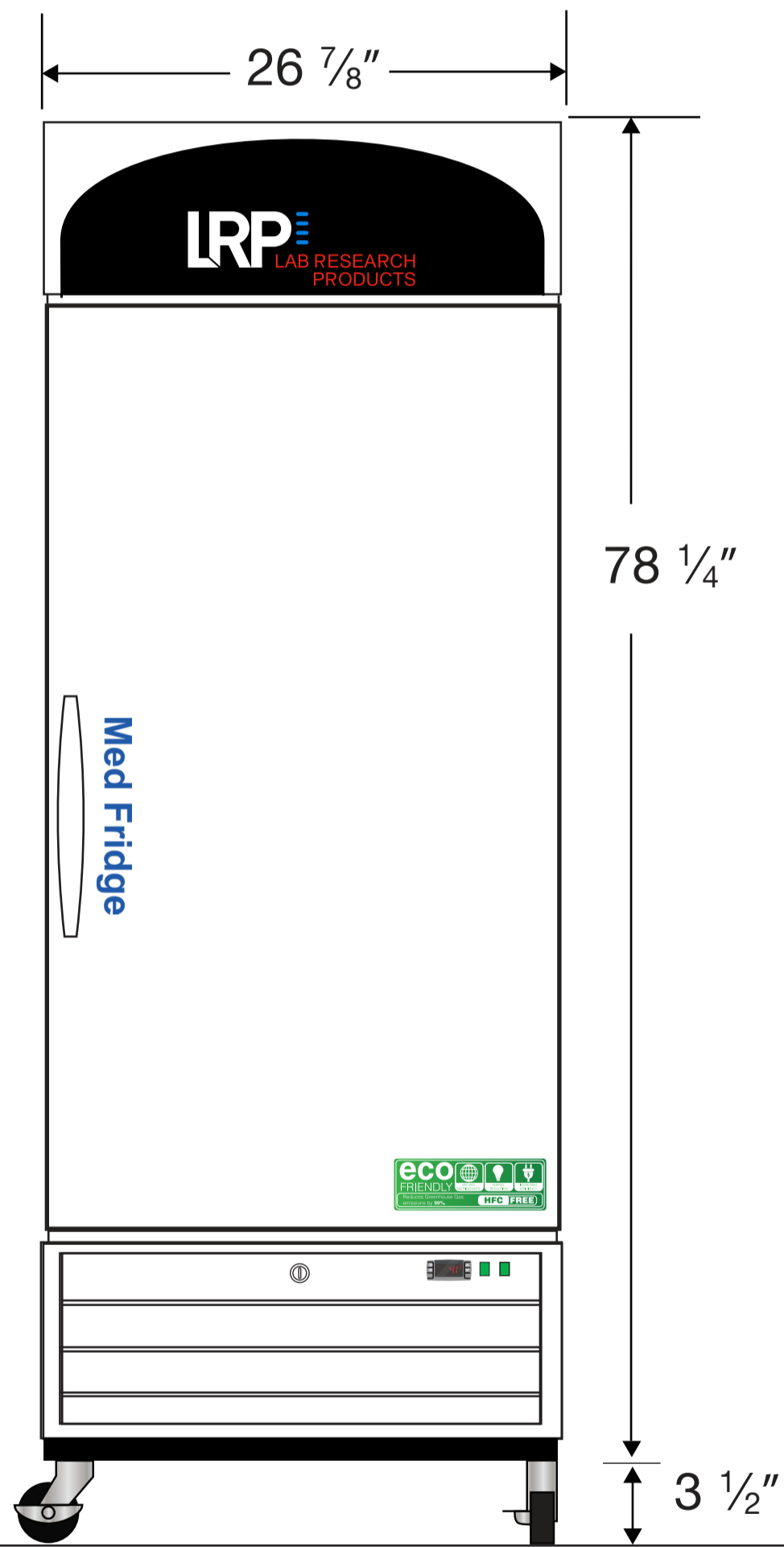
CUTSHEET

Exterior PH-LRP-HC-S23S

Front View

Side View

Top View



Cu. Ft	Defrost	Door	Int Door	Shelves	W"	D"	H"	Refrigerant	H.P.	Amps	Weight
23	Cycle	1 Solid	0	4 Adj	26 ⁷ / ₈	34 ³ / ₄	81 ³ / ₄	R290	¹ / ₅	3	210 lbs.