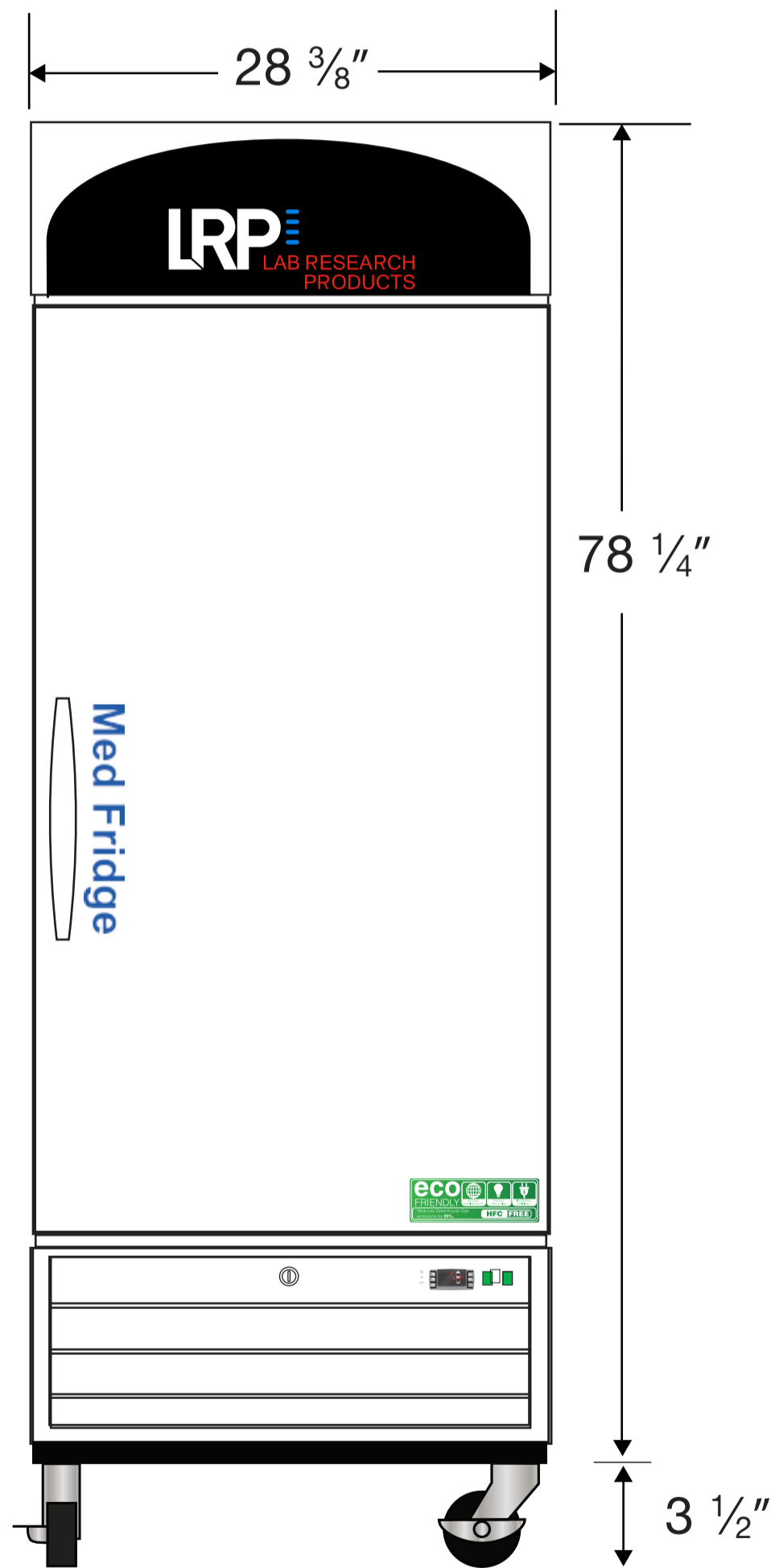
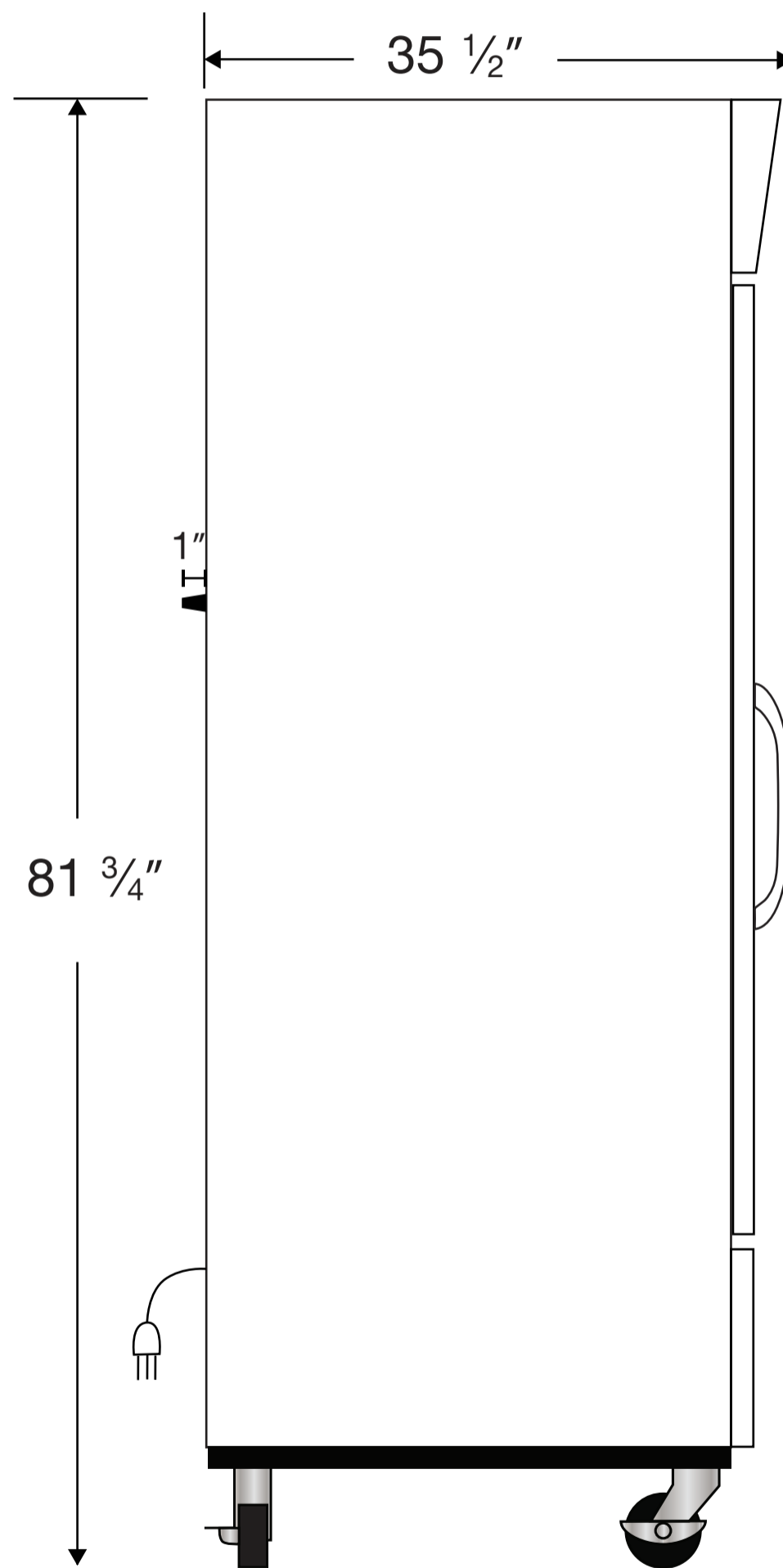


CUTSHEET

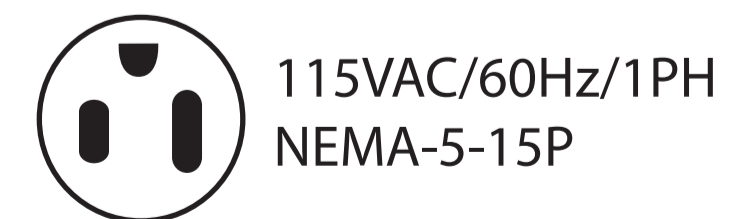
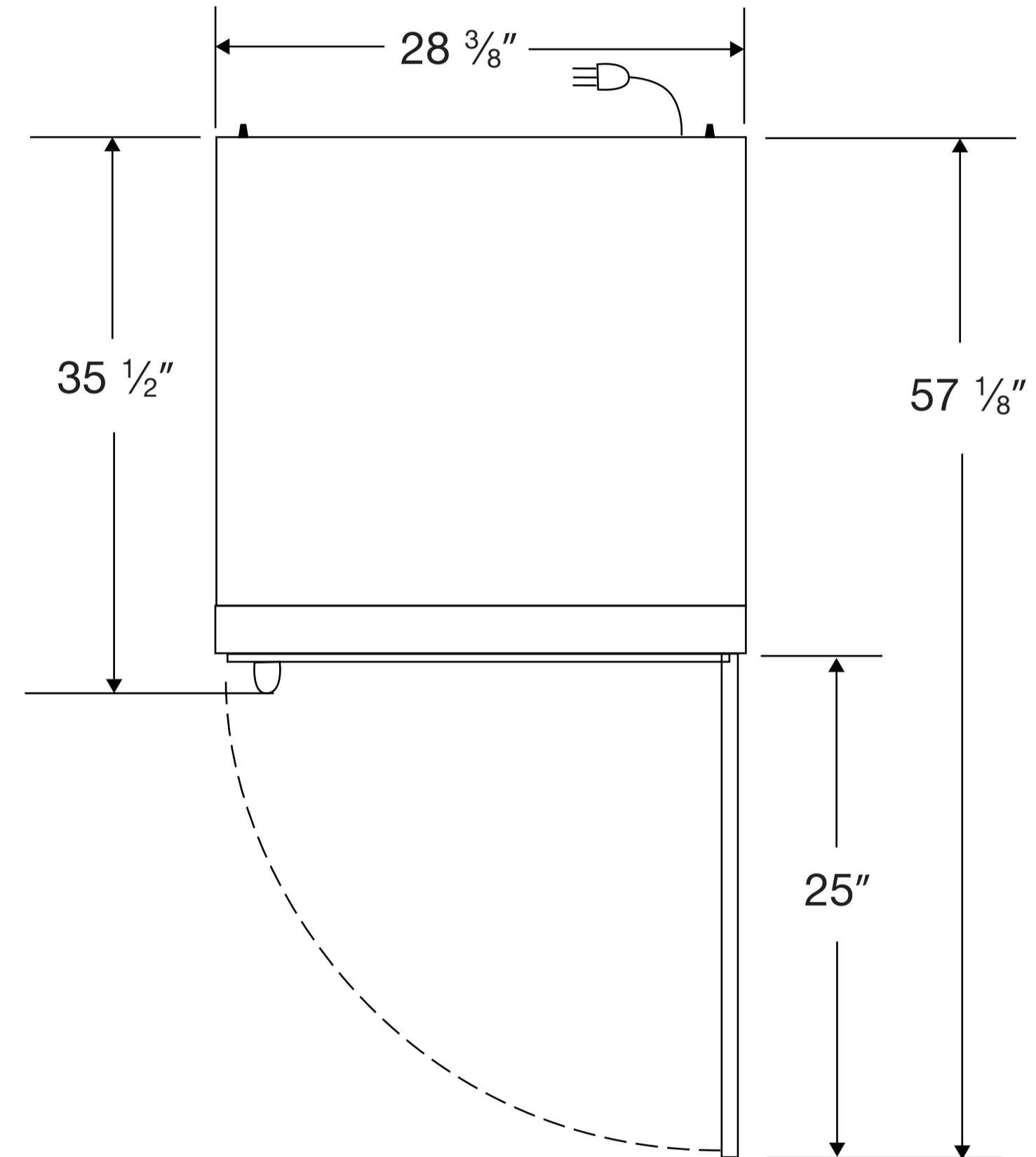
Front View



Side View



Top View



| Cu. Ft | Defrost | Door | Int Door | Shelves | W" | D" | H" | Refrigerant | H.P. | Amps | Weight |
|--------|---------|---------|----------|---------|--------|--------|--------|-------------|------|------|----------|
| 26 | Cycle | 1 Solid | 0 | 4 Adj | 28 3/8 | 36 1/2 | 81 3/4 | R290 | 1/5 | 3 | 235 lbs. |